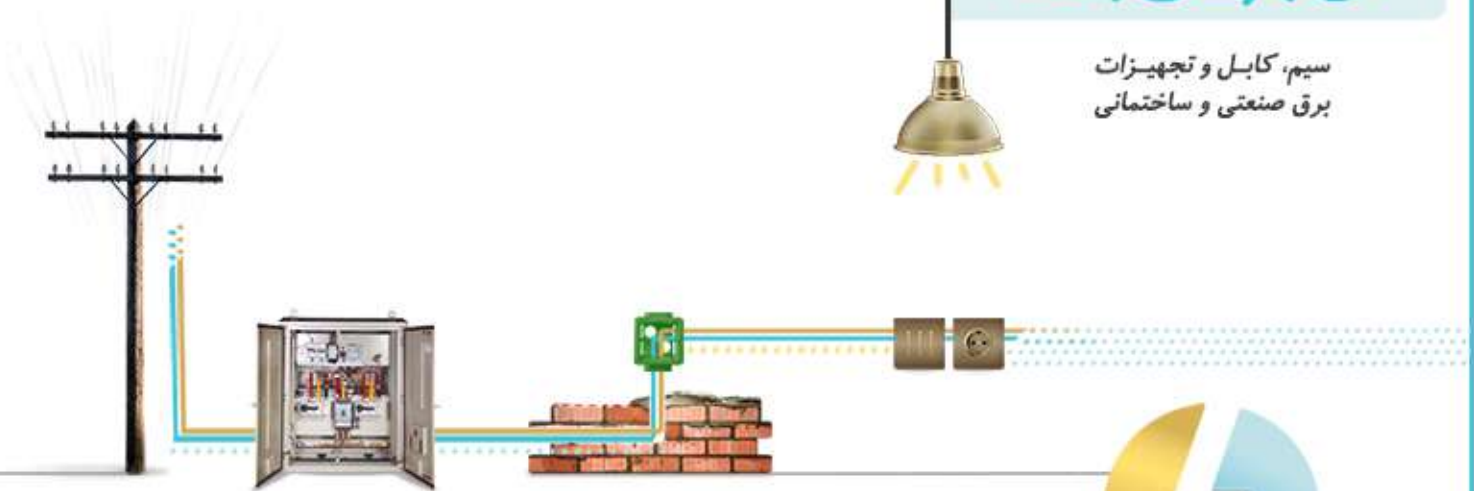


برق و صنعت سروین

کل جریان با ما

سیم، کابل و تجهیزات
برق صنعتی و ساختمانی



- ☎ ۰۲۱-۹۱۰ ۱۵ ۳۳۳ | ۰۲۱-۶۶ ۳۴۴۰ ۹۵
- 📍 دفتر مرکزی: تهران . لاله‌زار شمالی. پاساژ ایرانیان. طبقه دوم. واحد ۱۲۲
- ☎ ۰۸۶-۹۱۰ ۱۵ ۳۳۳
- 📍 اراک. خیابان شهید بهشتی. خیابان عضد. نبش عضد یک



w w w . b a r g h z o o m . c o m



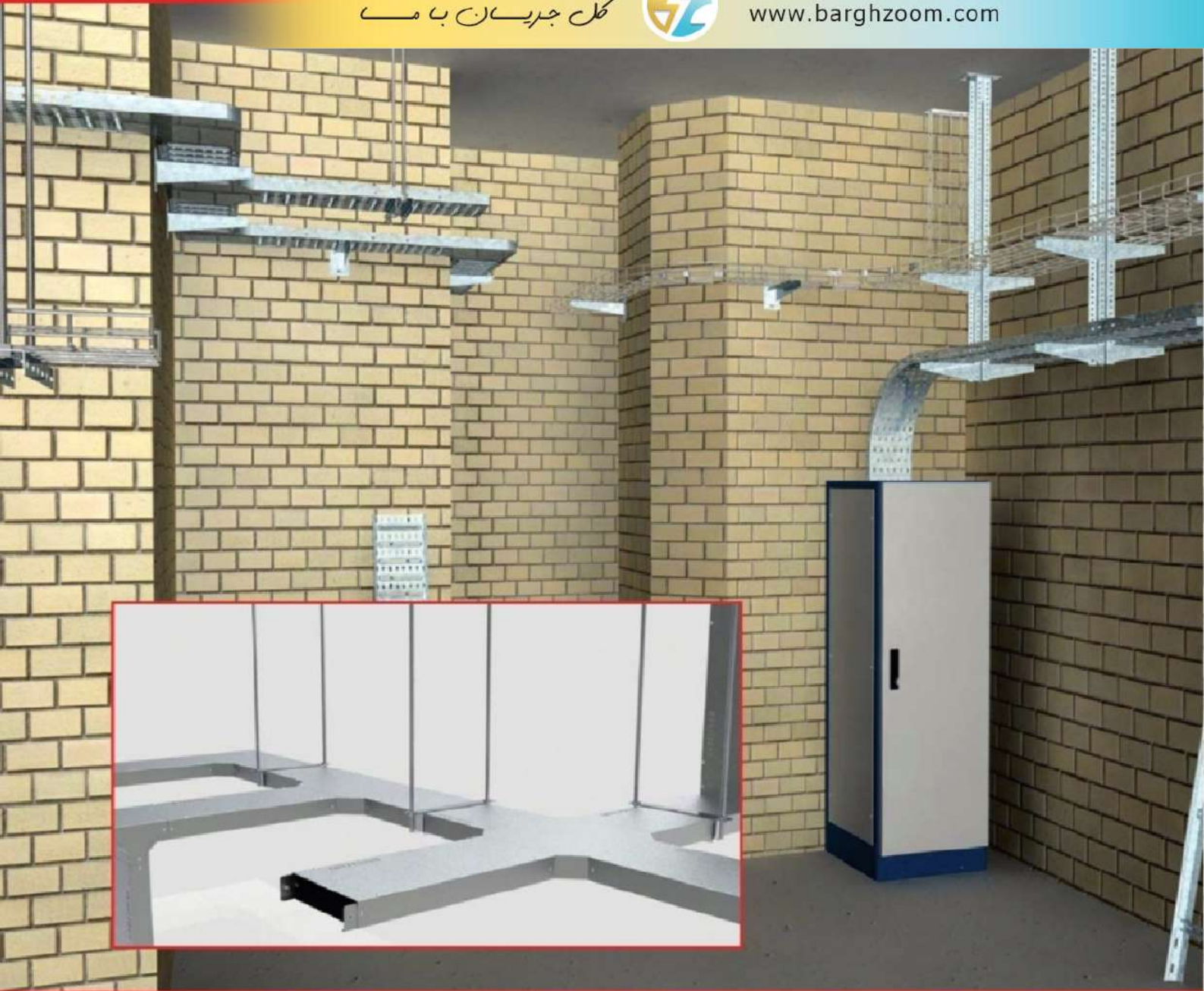
ARSINI®

www.eai-co.com / eaindustry@yahoo.com

کل جریان بام



www.barghzoom.com



SUPPORT SYSTEMS

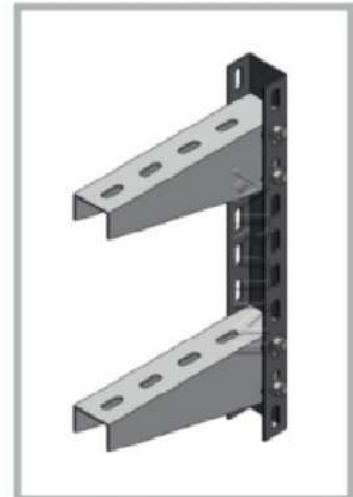
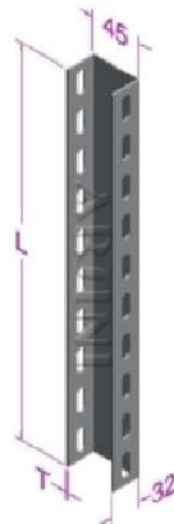
SUPPORT SYSTEMS (U SUPPORT)

1- U support profile

NOTES:

1. (?) → *H.D.G: Hot dip galvanized*
P.G: Pre galvanized
C: Colored

ORDER CODE	L mm	T mm
1US-20T-?	200	1.5 - 2
1US-25T-?	250	1.5 - 2
1US-35T-?	350	1.5 - 2
1US-40T-?	400	2 - 2.5 - 5
1US-50T-?	500	2 - 2.5 - 5
1US-65T-?	650	2 - 2.5 - 5
1US-100T-?	1000	2 - 2.5 - 5
1US-125T-?	1250	2 - 2.5 - 5
1US-200T-?	2000	2 - 2.5 - 5



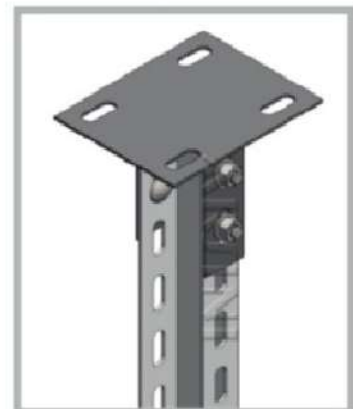
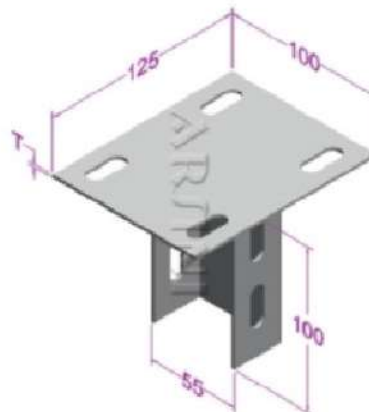
Connection Example

2- U support for ceiling

NOTES:

1. (?) → *H.D.G: Hot dip galvanized*
P.G: Pre galvanized
C: Colored

ORDER CODE	L mm	T mm
2US-10T-?	100	2 - 2.5 - 5



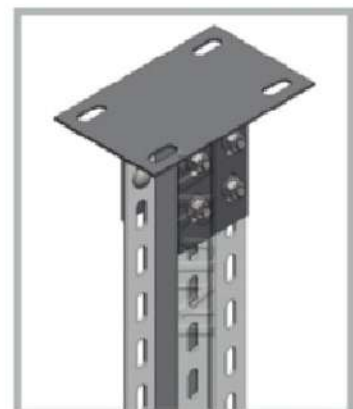
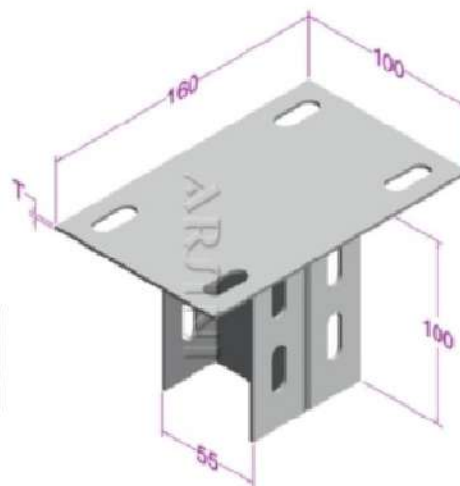
Connection Example

3- U support double for ceiling

NOTES:

1. (?) → *H.D.G: Hot dip galvanized*
P.G: Pre galvanized
C: Colored

ORDER CODE	L mm	T mm
3US-10T-?	100	2 - 2.5 - 5



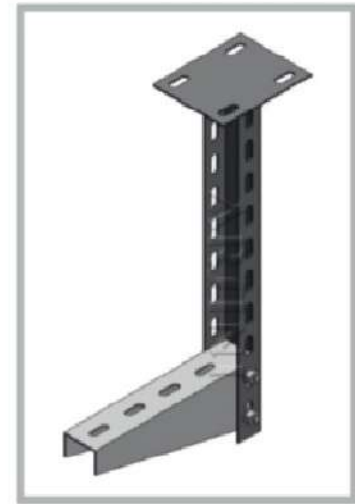
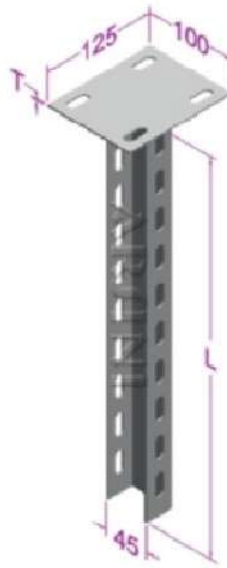
Connection Example

4- U support for ceiling

NOTES:

1. (?) → H.D.G: Hot dip galvanized
P.G: Pre galvanized
C: Colored

ORDER CODE	L mm	T mm
4US-20T-?	200	1.5 - 2
4US-25T-?	250	1.5 - 2
4US-35T-?	350	1.5 - 2
4US-40T-?	400	2 - 2.5 - 5
4US-50T-?	500	2 - 2.5 - 5
4US-65T-?	650	2 - 2.5 - 5
4US-100T-?	1000	2 - 2.5 - 5
4US-125T-?	1250	2 - 2.5 - 5
4US-200T-?	2000	2 - 2.5 - 5



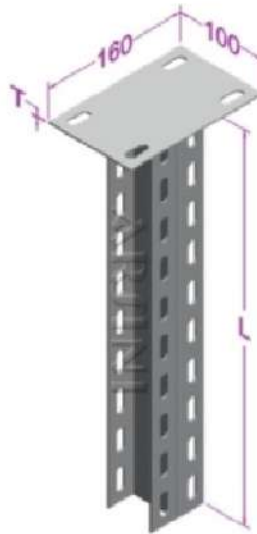
Connection Example

5- U support double for ceiling

NOTES:

1. (?) → H.D.G: Hot dip galvanized
P.G: Pre galvanized
C: Colored

ORDER CODE	L mm	T mm
5US-20T-?	200	1.5 - 2
5US-25T-?	250	1.5 - 2
5US-35T-?	350	1.5 - 2
5US-40T-?	400	2 - 2.5 - 5
5US-50T-?	500	2 - 2.5 - 5
5US-65T-?	650	2 - 2.5 - 5
5US-100T-?	1000	2 - 2.5 - 5
5US-125T-?	1250	2 - 2.5 - 5
5US-200T-?	2000	2 - 2.5 - 5



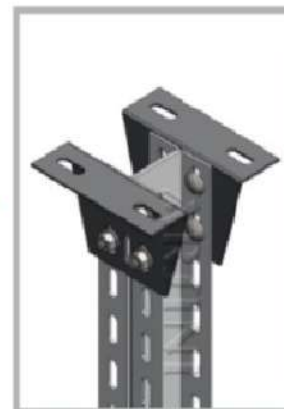
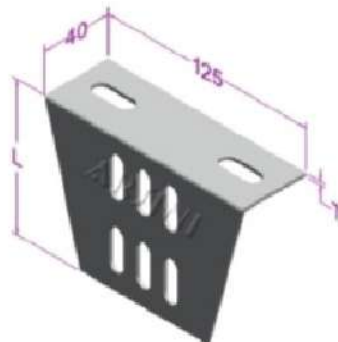
Connection Example

6- U support for ceiling

NOTES:

1. (?) → H.D.G: Hot dip galvanized
P.G: Pre galvanized
C: Colored

ORDER CODE	L mm	T mm
6US-T-?	85	2 - 2.5 - 5



Connection Example



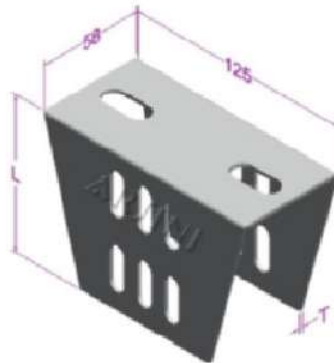
Connection Example

SUPPORT SYSTEMS (U SUPPORT)

7- U support for ceiling

NOTES:

1. (?) → *H.D.G: Hot dip galvanized*
P.G: Pre galvanized
C: Colored



ORDER CODE	L mm	T mm
7US-T-?	85	2 - 2.5 - 5



Connection Example

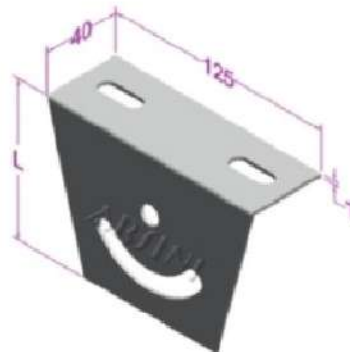


Connection Example

8- U support for ceiling

NOTES:

1. (?) → *H.D.G: Hot dip galvanized*
P.G: Pre galvanized
C: Colored



ORDER CODE	L mm	T mm
8US-T-?	85	2 - 2.5 - 5

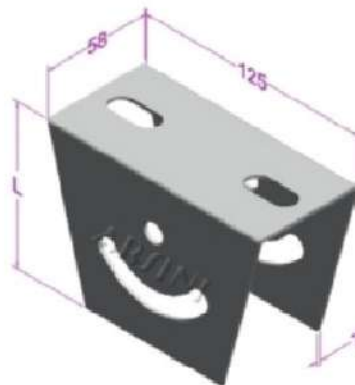


Connection Example

9- U support for ceiling

NOTES:

1. (?) → *H.D.G: Hot dip galvanized*
P.G: Pre galvanized
C: Colored



ORDER CODE	L mm	T mm
9US-T-?	85	2 - 2.5 - 5



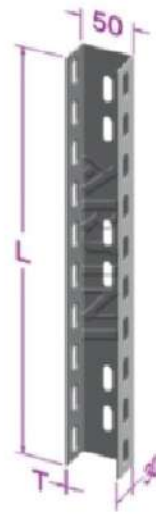
Connection Example

10- U support profile for wall

NOTES:

1. (?) → *H.D.G: Hot dip galvanized*
P.G: Pre galvanized
C: Colored

ORDER CODE	L mm	T mm
10US-20T-?	200	1.5 - 2
10US-25T-?	250	1.5 - 2
10US-35T-?	350	1.5 - 2
10US-40T-?	400	2 - 2.5 - 5
10US-50T-?	500	2 - 2.5 - 5
10US-65T-?	650	2 - 2.5 - 5
10US-100T-?	1000	2 - 2.5 - 5
10US-125T-?	1250	2 - 2.5 - 5
10US-200T-?	2000	2 - 2.5 - 5



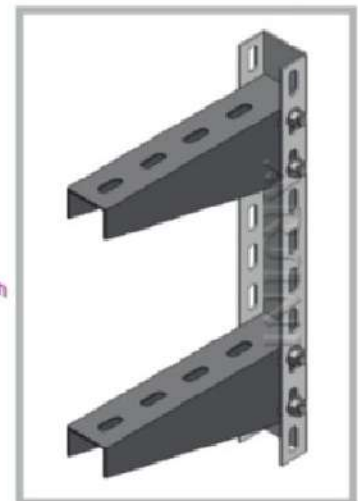
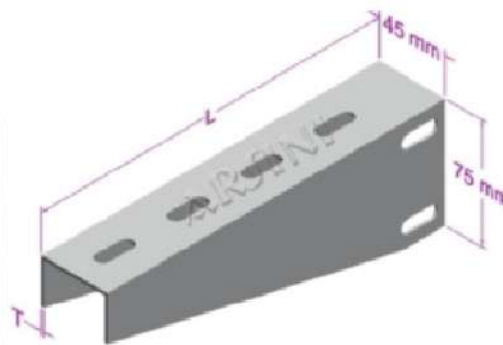
Connection Example

11- Bracket for u support

NOTES:

1. (?) → *H.D.G: Hot dip galvanized*
P.G: Pre galvanized
C: Colored

ORDER CODE	L mm	T mm
11US-8T-?	80	1.5 - 2
11US-13T-?	130	1.5 - 2
11US-18T-?	180	1.5 - 2
11US-23T-?	230	1.5 - 2
11US-28T-?	280	1.5 - 2
11US-33T-?	330	1.5 - 2
11US-43T-?	430	2 - 2.5
11US-53T-?	530	2 - 2.5
11US-63T-?	630	2 - 2.5



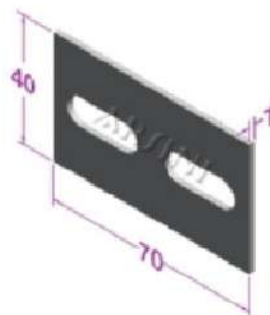
Connection Example

12- Connector

NOTES:

1. (?) → *H.D.G: Hot dip galvanized*
P.G: Pre galvanized
C: Colored

ORDER CODE	L mm	T mm
12US-T-?	70	2

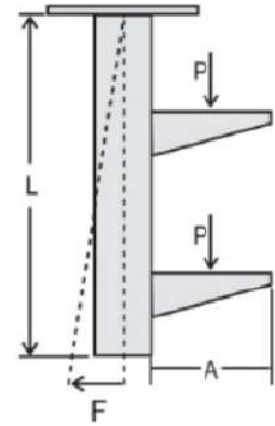


Connection Example

SUPPORT SYSTEMS (U SUPPORT)

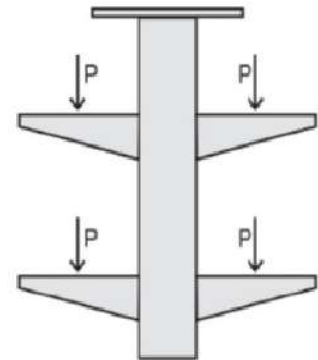
U support static values unilateral loading

Length of bracket (A)	200	200	200	400	400	400	600	600	600
P (kg)	80	160	240	60	120	180	40	80	120
F=(mm) L=500mm	4	6		4	6		4	6	
F=(mm) L=1000mm	8	14		8	14		9	16	
F=(mm) L=2000mm	11	20		13	24		13	24	



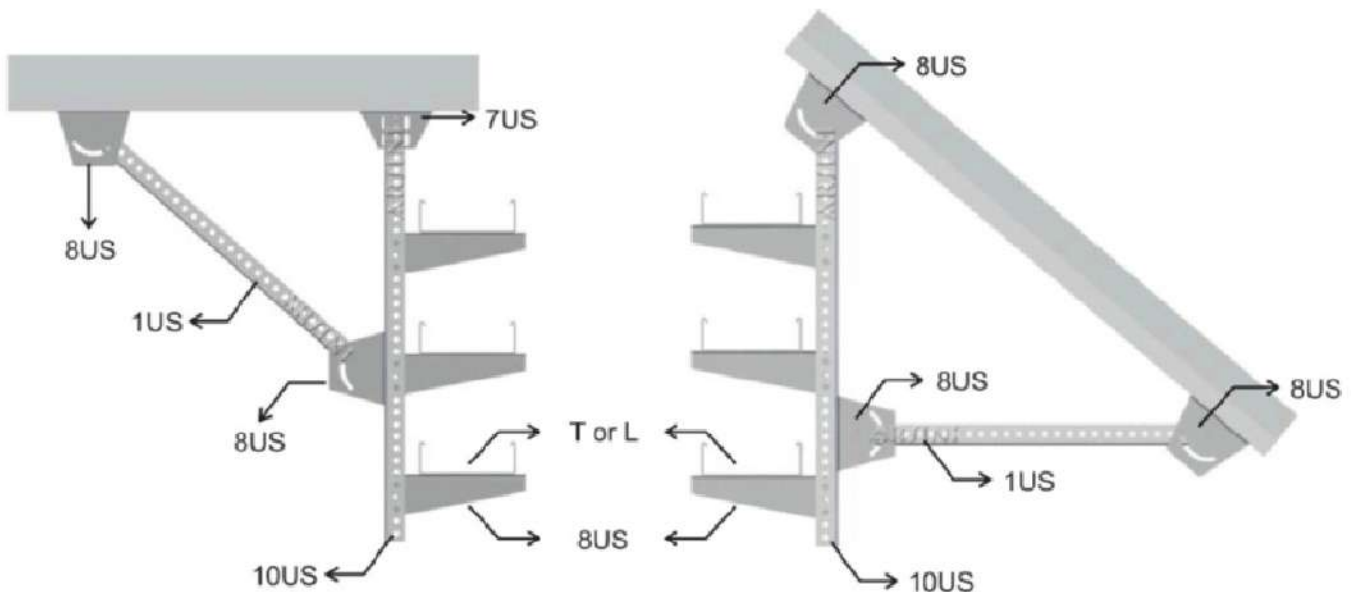
U support double sides loading

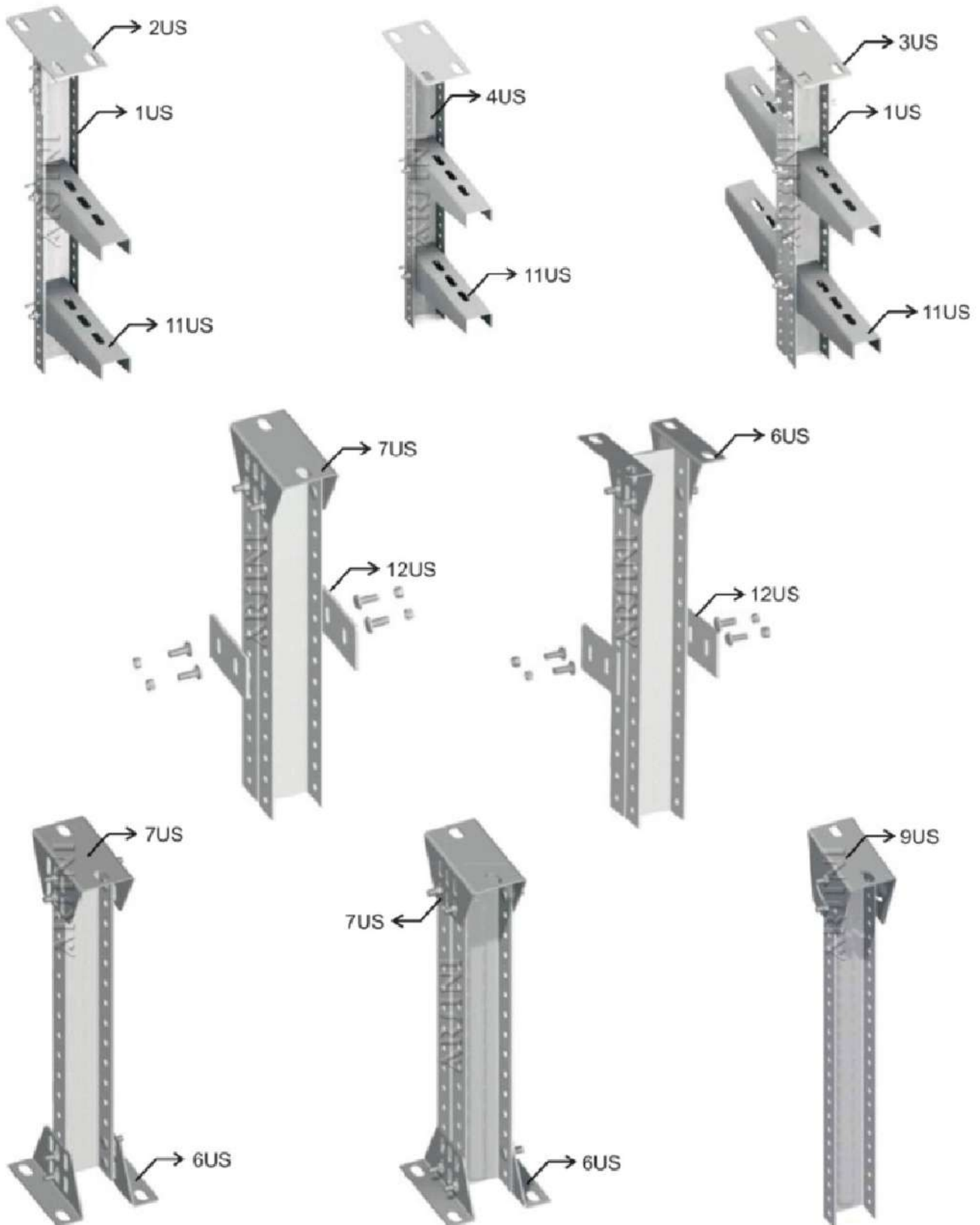
Length of bracket (A)	200	200	200	400	400	400	600	600	600
P (kg)	160	320	640	120	240	360	80	160	240
F=(mm)	0	0	0	0	0	0	0	0	0



Double sides loading $F=0$

Connection example





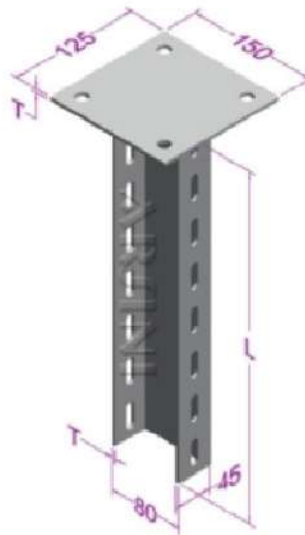
SUPPORT SYSTEMS (U SUPPORT)

13- U2 support for ceiling

NOTES:

1. (?) → H.D.G: Hot dip galvanized
P.G: Pre galvanized
C: Colored

ORDER CODE	L mm	T mm
13US-20T-?	200	2 - 2.5 - 5
13US-25T-?	250	2 - 2.5 - 5
13US-35T-?	350	2 - 2.5 - 5
13US-40T-?	400	2 - 2.5 - 5
13US-50T-?	500	2 - 2.5 - 5
13US-65T-?	650	2 - 2.5 - 5
13US-100T-?	1000	2 - 2.5 - 5
13US-125T-?	1250	2 - 2.5 - 5
13US-200T-?	2000	2 - 2.5 - 5



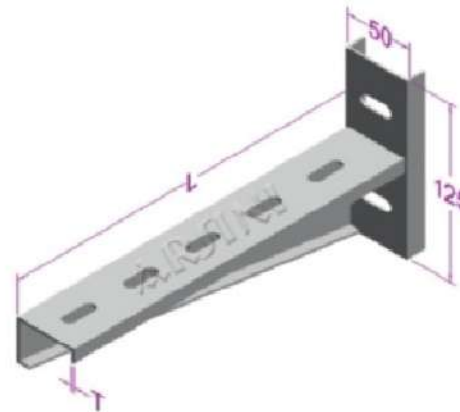
Connection Example

14- Bracket for U2 support

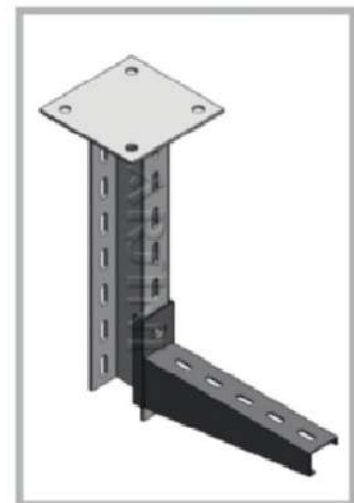
NOTES:

1. (?) → H.D.G: Hot dip galvanized
P.G: Pre galvanized
C: Colored

ORDER CODE	L mm	T mm
14US-5T-?	50	1.5 - 2
14US-10T-?	100	1.5 - 2
14US-15T-?	150	1.5 - 2
14US-20T-?	200	1.5 - 2
14US-25T-?	250	1.5 - 2
14US-30T-?	300	1.5 - 2
14US-40T-?	400	2 - 2.5
14US-50T-?	500	2 - 2.5
14US-60T-?	600	2 - 2.5
14US-70T-?	700	2 - 2.5
14US-80T-?	800	2 - 2.5
14US-90T-?	900	2 - 2.5
14US-100T-?	1000	2 - 2.5



Connection Example

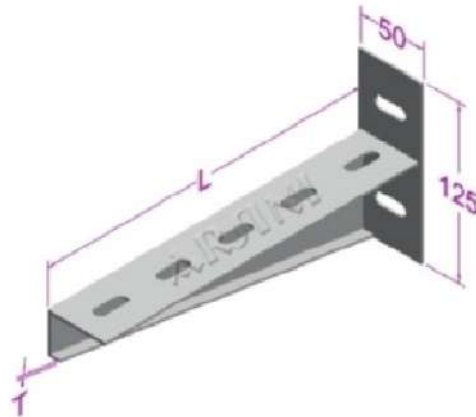


Connection Example

15- Bracket for U2 support

NOTES:

- 1. (?) → H.D.G: Hot dip galvanized
- P.G: Pre galvanized
- C: Colored



ORDER CODE	L mm	T mm
15US-5T-?	50	1.5 - 2
15US-10T-?	100	1.5 - 2
15US-15T-?	150	1.5 - 2
15US-20T-?	200	1.5 - 2
15US-25T-?	250	1.5 - 2
15US-30T-?	300	1.5 - 2
15US-40T-?	400	2 - 2.5
15US-50T-?	500	2 - 2.5
15US-60T-?	600	2 - 2.5
15US-70T-?	700	2 - 2.5
15US-80T-?	800	2 - 2.5
15US-90T-?	900	2 - 2.5
15US-100T-?	1000	2 - 2.5



Connection Example



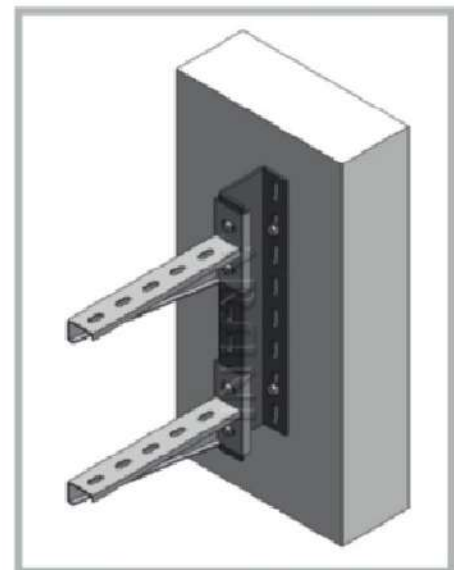
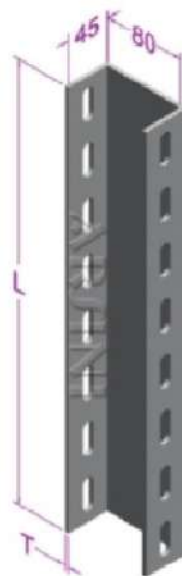
Connection Example

16- U2 support profile for wall

NOTES:

- 1. (?) → H.D.G: Hot dip galvanized
- P.G: Pre galvanized
- C: Colored

ORDER CODE	L mm	T mm
16US-20T-?	200	2 - 2.5 - 5
16US-25T-?	250	2 - 2.5 - 5
16US-35T-?	350	2 - 2.5 - 5
16US-40T-?	400	2 - 2.5 - 5
16US-50T-?	500	2 - 2.5 - 5
16US-65T-?	650	2 - 2.5 - 5
16US-100T-?	1000	2 - 2.5 - 5
16US-125T-?	1250	2 - 2.5 - 5
16US-200T-?	2000	2 - 2.5 - 5



Connection Example

SUPPORT SYSTEMS (THREADED HANGING RODS)

17- Threaded rod

ORDER CODE	L mm	D mm
17-1	500	M8
17-2	1000	M8
17-3	2000	M8
17-4	500	M10
17-5	1000	M10
17-6	2000	M10
17-7	500	M12
17-8	1000	M12
17-9	2000	M12

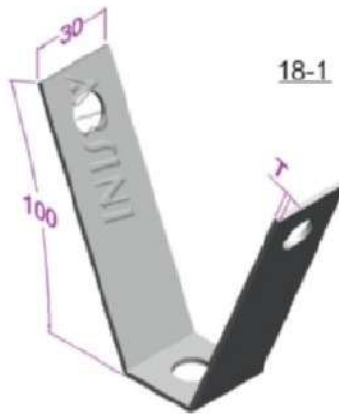


18- Head plate

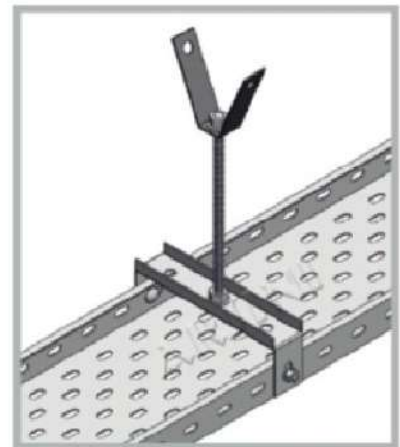
NOTES:

1. (?) *H.D.G: Hot dip galvanized*
P.G: Pre galvanized
C: Colored

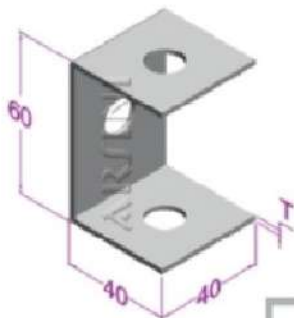
ORDER CODE	T mm
18-1T-?	2.5 - 5
18-2T-?	2.5 - 5
18-3T-?	2.5 - 5



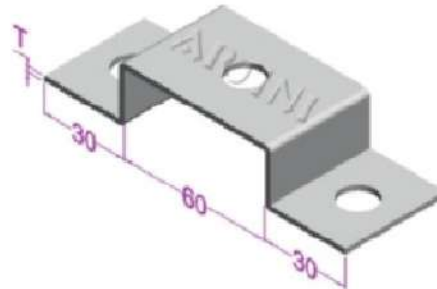
18-1



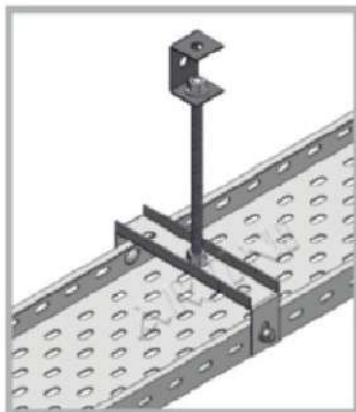
Connection Example



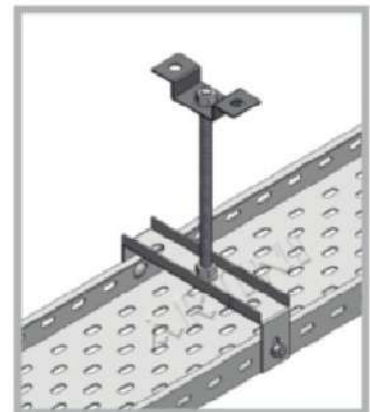
18-2



18-3



Connection Example



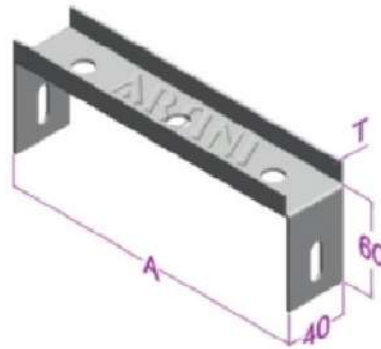
Connection Example

19- Trays carriers which used threaded rod

NOTES:

1. (?) *H.D.G: Hot dip galvanized*
P.G: Pre galvanized
C: Colored

ORDER CODE	A mm	T mm
19-5T-?	50	1.5 - 2
19-10T-?	100	1.5 - 2
19-15T-?	150	1.5 - 2
19-20T-?	200	2
19-25T-?	250	2
19-30T-?	300	2
19-40T-?	400	2



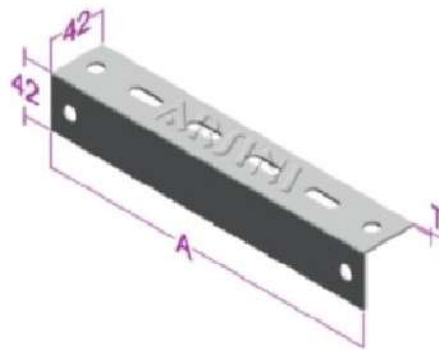
Connection Example

20- Trays carriers which used threaded rod

NOTES:

1. (?) *H.D.G: Hot dip galvanized*
P.G: Pre galvanized
C: Colored

ORDER CODE	A mm	T mm
20-16T-?	160	1.5 - 2
20-21T-?	210	1.5 - 2
20-26T-?	262	1.5 - 2
20-31T-?	310	1.5 - 2
20-36T-?	360	1.5 - 2
20-46T-?	460	1.5 - 2
20-56T-?	560	1.5 - 2
20-66T-?	660	1.5 - 2



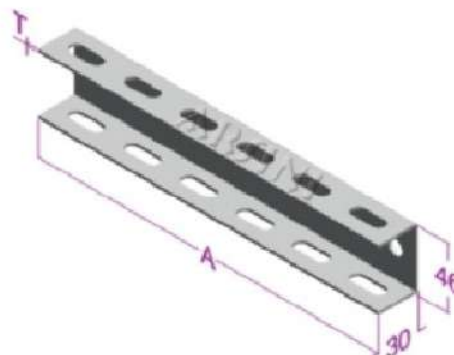
Connection Example

21- Trays carriers which used threaded rod

NOTES:

1. (?) *H.D.G: Hot dip galvanized*
P.G: Pre galvanized
C: Colored

ORDER CODE	A mm	T mm
21-16T-?	160	1.5 - 2
21-21T-?	210	1.5 - 2
21-26T-?	262	1.5 - 2
21-31T-?	310	1.5 - 2
21-36T-?	360	1.5 - 2
21-46T-?	460	1.5 - 2
21-56T-?	560	1.5 - 2
21-66T-?	660	1.5 - 2



Connection Example

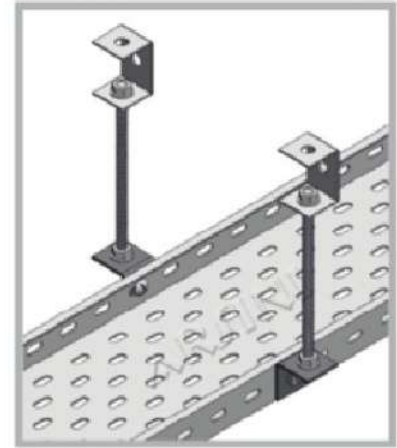
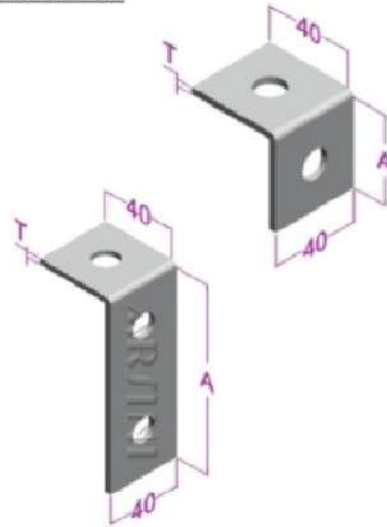
SUPPORT SYSTEMS (THREADED HANGING RODS)

22- Trays carriers which used threaded rod

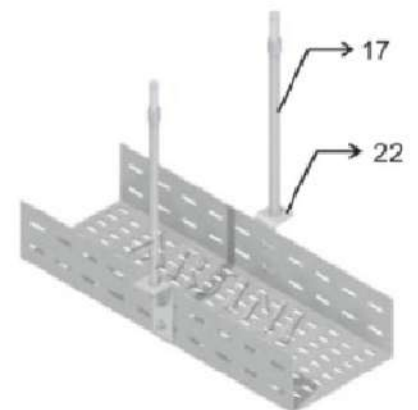
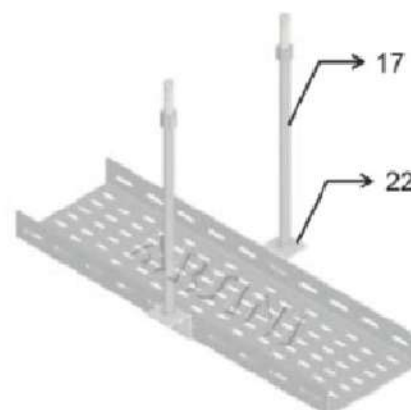
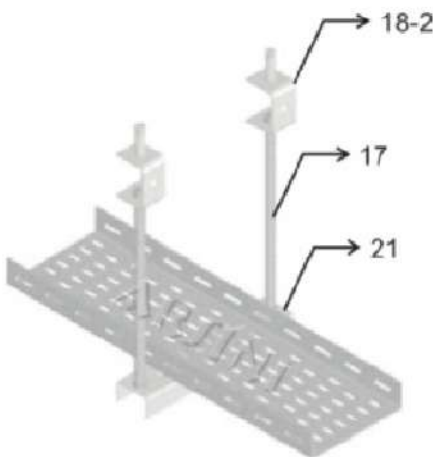
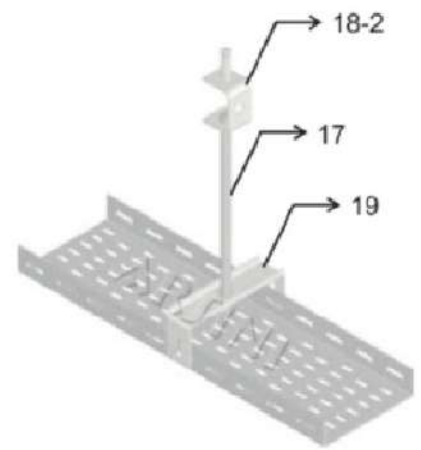
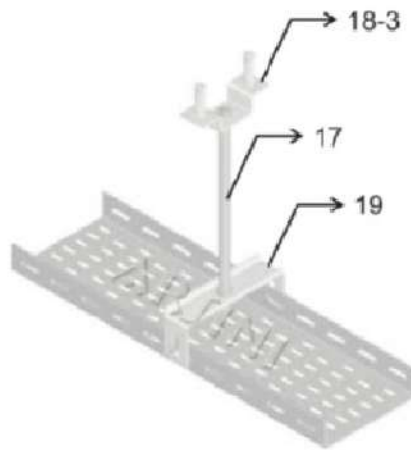
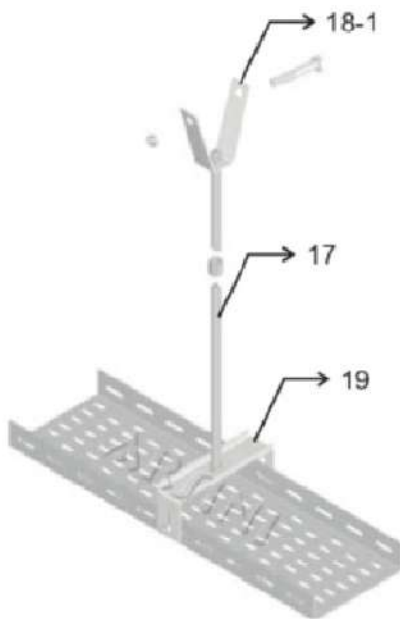
NOTES:

1. (7) **H.D.G:** Hot dip galvanized
P.G: Pre galvanized
C: Colored

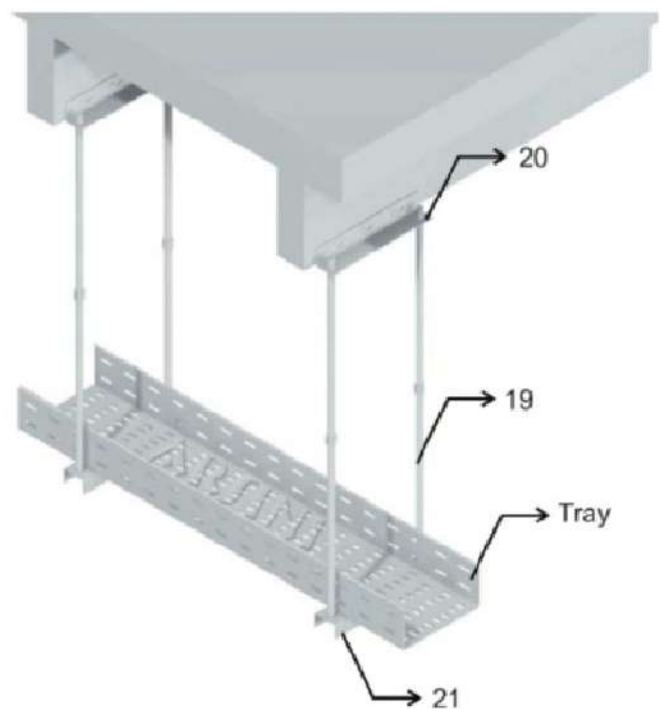
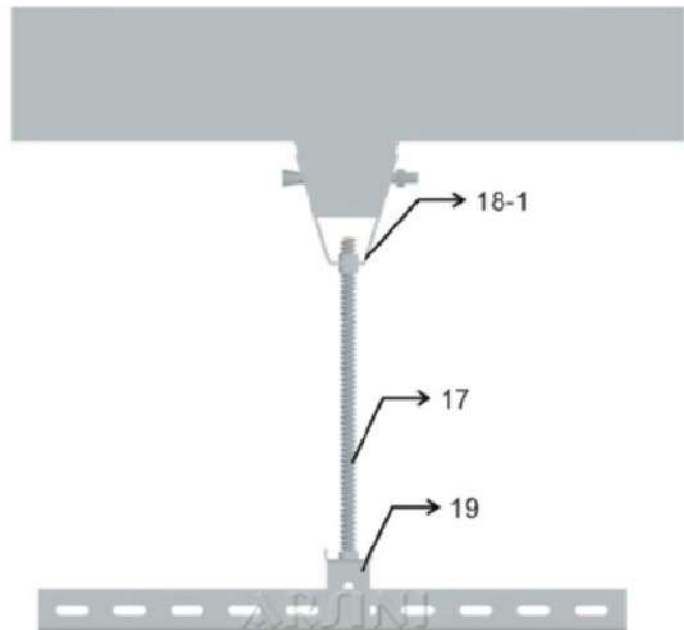
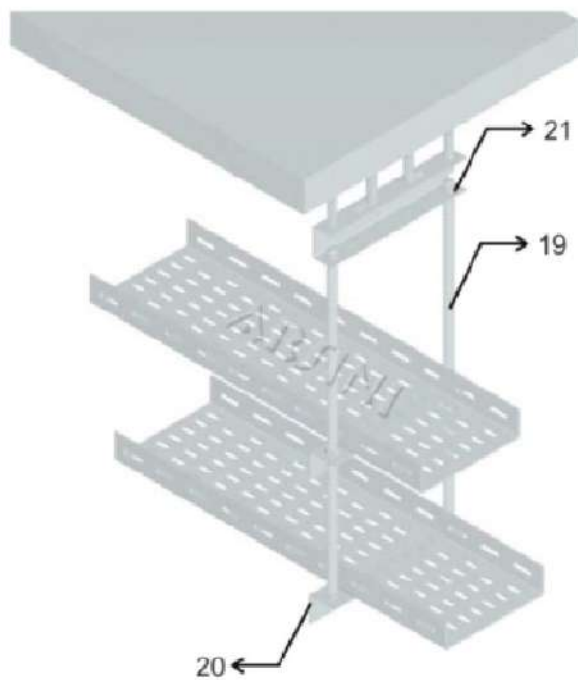
ORDER CODE	A mm	T mm
22-4T-?	40	2.5 - 5
22-5T-?	50	2.5 - 5
22-6T-?	60	2.5 - 5
22-10T-?	100	2.5 - 5



Connection Example



Connection example



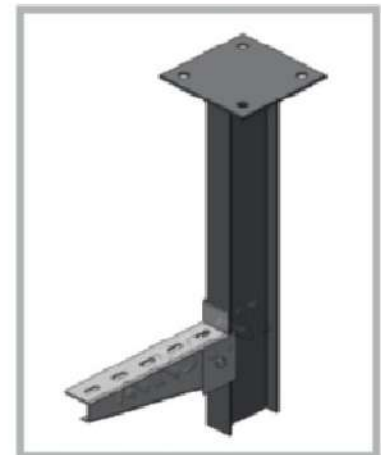
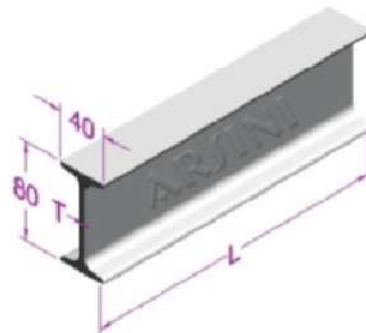
SUPPORT SYSTEMS (I SUPPORT)

I support profile

NOTES:

1. (?) *H.D.G: Hot dip galvanized*
C: Colored

ORDER CODE	L mm	T mm
I PROFILE	6000	4



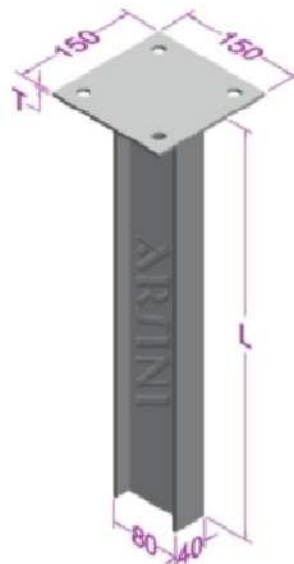
Connection Example

23- I support for ceiling

NOTES:

1. (?) *H.D.G: Hot dip galvanized*
C: Colored

ORDER CODE	L mm	T mm
23IS-20T-?	200	5
23IS-30T-?	300	5
23IS-40T-?	400	5
23IS-50T-?	500	5
23IS-60T-?	600	5
23IS-70T-?	700	5
23IS-80T-?	800	5
23IS-90T-?	900	5
23IS-100T-?	1000	5
23IS-120T-?	1200	5
23IS-150T-?	1500	5
23IS-200T-?	2000	5
23IS-300T-?	3000	5



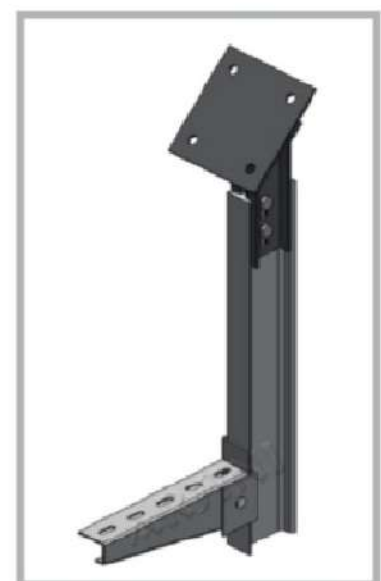
Connection Example

24- I hanging support adjustable

NOTES:

1. (?) *H.D.G: Hot dip galvanized*
C: Colored

ORDER CODE	L mm	T mm
24IS-20T?	200	5



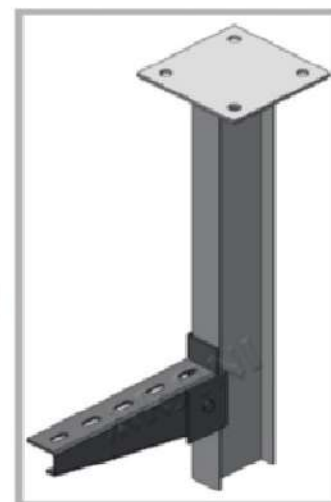
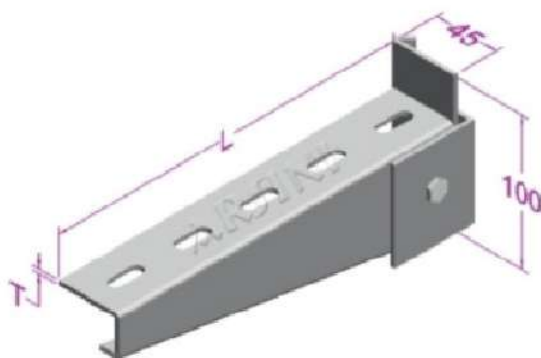
Connection Example

25- I support bracket

NOTES:

1. (?) **H.D.G:** Hot dip galvanized
P.G: Pre galvanized
C: Colored

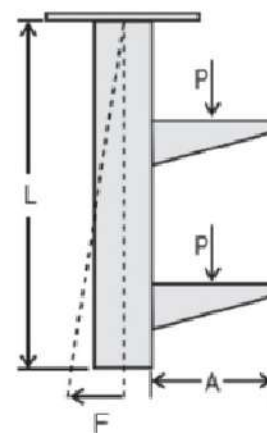
ORDER CODE	L mm	T mm
25IS-5T-?	50	2
25IS-10T-?	100	2
25IS-15T-?	150	2
25IS-20T-?	200	2
25IS-25T-?	250	2
25IS-30T-?	300	2 - 2.5
25IS-40T-?	400	2 - 2.5
25IS-50T-?	500	2 - 2.5
25IS-60T-?	600	2 - 2.5
25IS-70T-?	700	2 - 2.5
25IS-80T-?	800	2 - 2.5
25IS-90T-?	900	2 - 2.5
25IS-100T-?	1000	2 - 2.5



Connection Example

I support static valuse unilateral loading

Length of bracket (A)	200	200	200	400	400	400	600	600	600
P (kg)	300	600	900	210	450	700	150	300	600
F=(mm) L=500mm	0	1		0	2		0	3	
F=(mm) L=1000mm	2	3	7	2	5	9	2	5	9
F=(mm) L=2000mm	3	5	11	3	7	13	3	7	13



I support double sides loading

Length of bracket (A)	200	200	200	400	400	400	600	600	600
P (kg)	600	1200	1800	420	900	1400	300	600	1000
F=(mm)	0	0	0	0	0	0	0	0	0

Double sides loading F=0

Number of brackets which are used

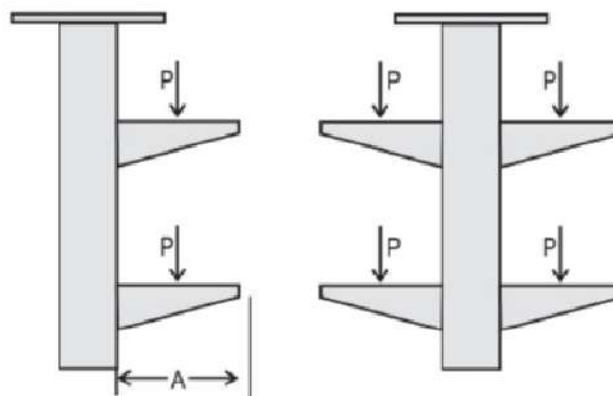
P	A	N
P=200 Kg	100	10
P=200 Kg	200	10
P=200 Kg	300	6
P=200 Kg	400	4
P=200 Kg	500	2
P=200 Kg	600	2

N : Number of will be used bracket

Max load of I hanging support P

A	P (KG)
100	590
200	550
300	520
400	500
500	480
600	450

A : Long of bracket (mm)

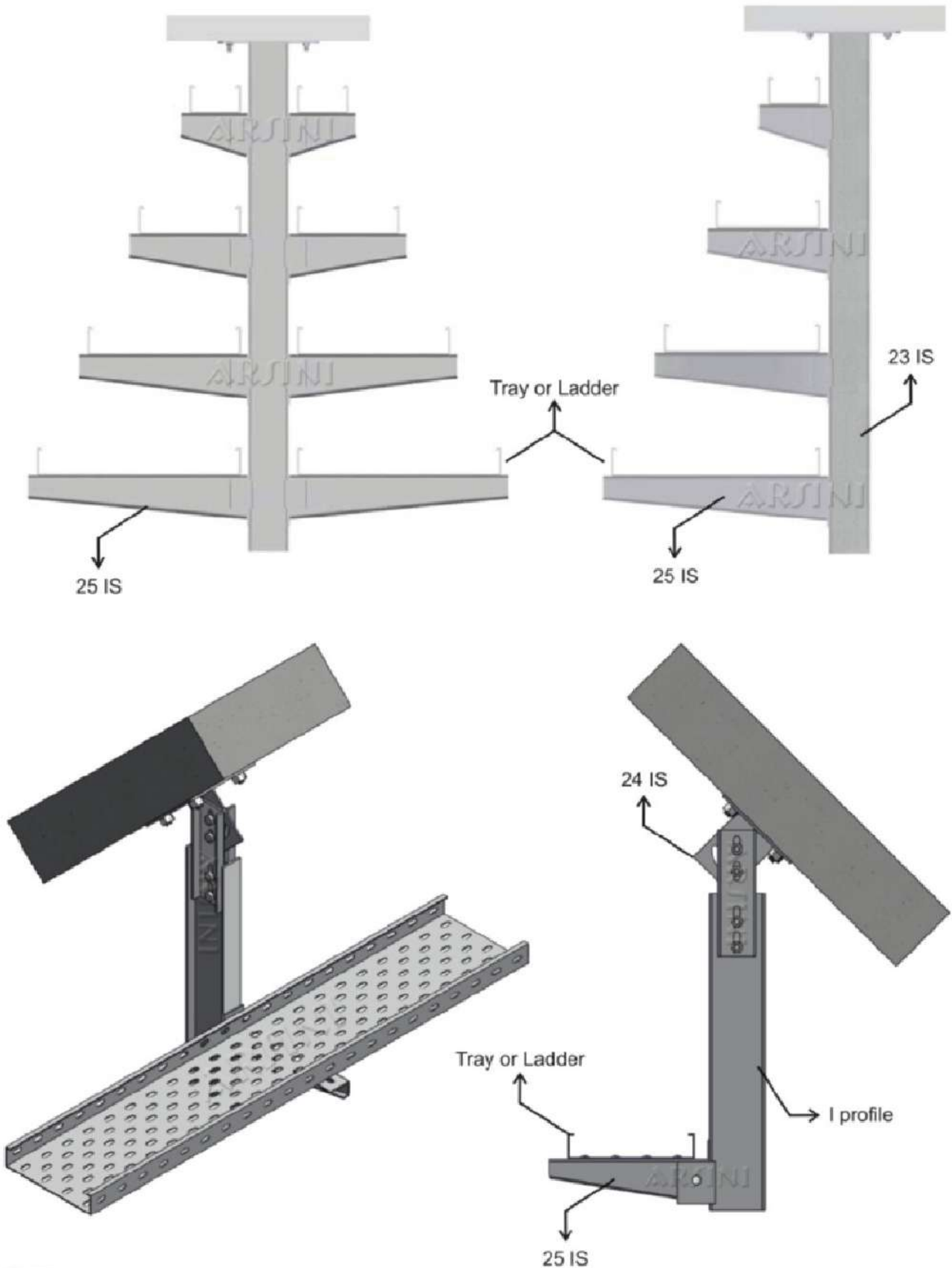


Double sides loading total bending momentum=0

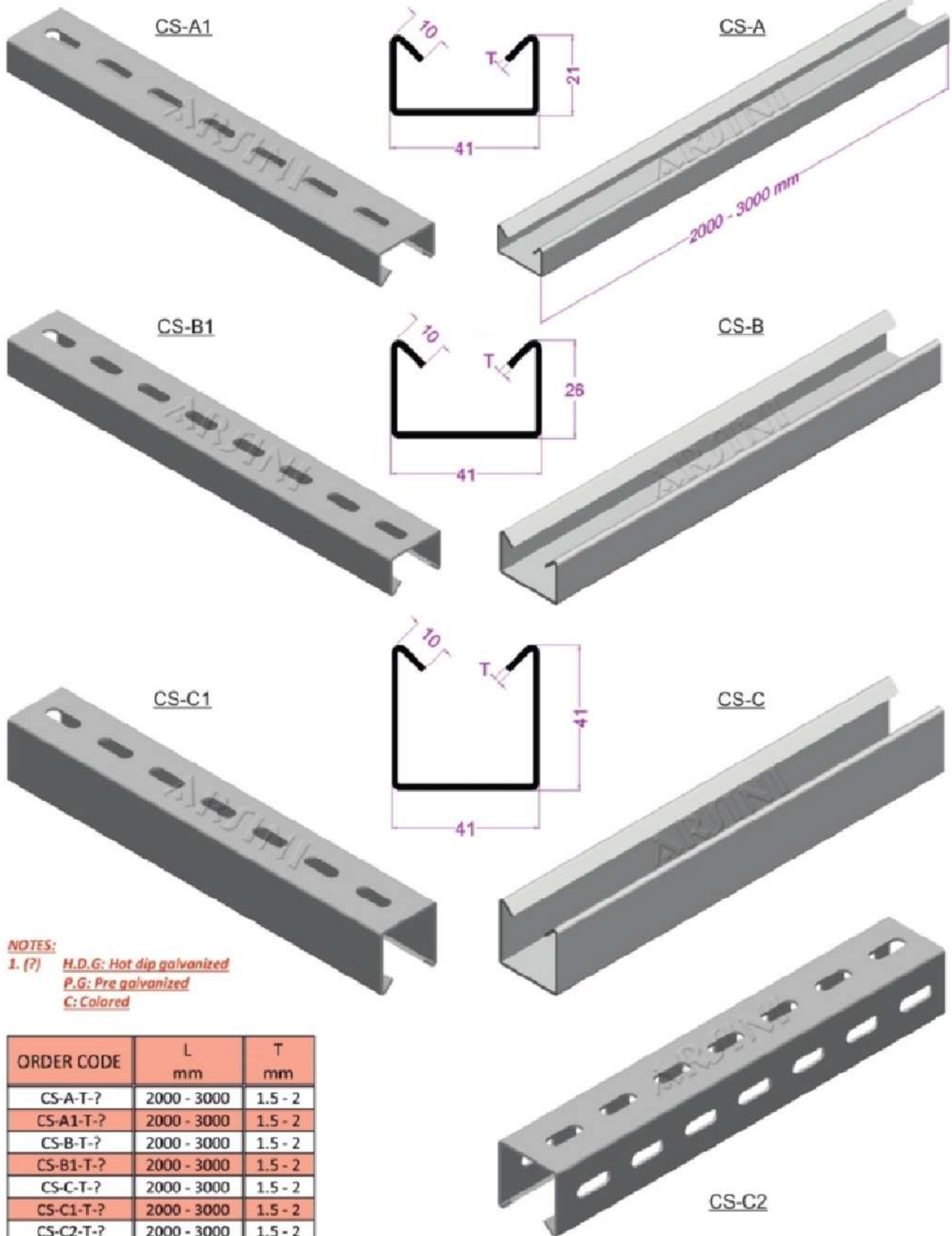
Equal scatter load carry of total P(kg)=1000

SUPPORT SYSTEMS (1 SUPPORT)

Connection example



C channel profiles



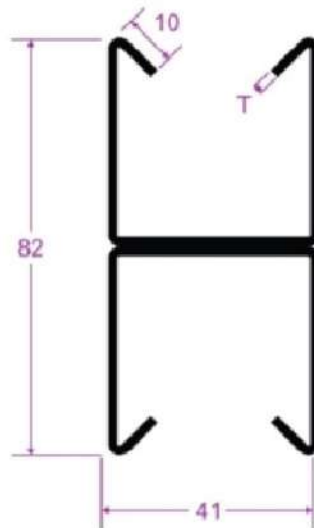
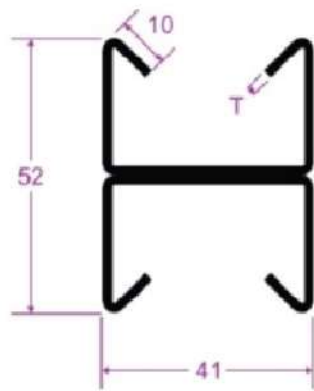
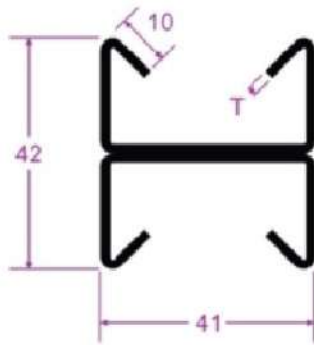
NOTES:

1. (?) **H.D.G:** Hot dip galvanized
P.G: Pre galvanized
C: Colored

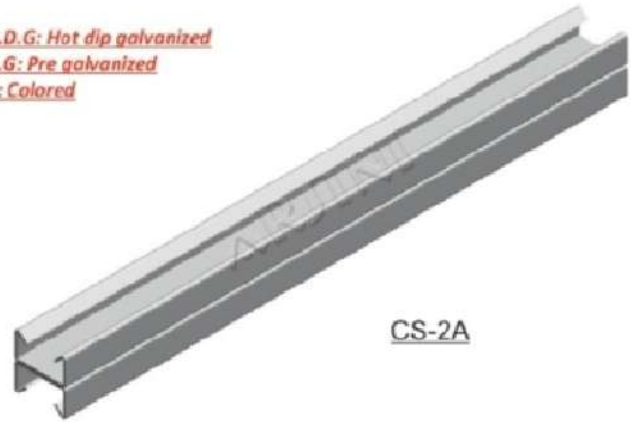
ORDER CODE	L mm	T mm
CS-A-T-?	2000 - 3000	1.5 - 2
CS-A1-T-?	2000 - 3000	1.5 - 2
CS-B-T-?	2000 - 3000	1.5 - 2
CS-B1-T-?	2000 - 3000	1.5 - 2
CS-C-T-?	2000 - 3000	1.5 - 2
CS-C1-T-?	2000 - 3000	1.5 - 2
CS-C2-T-?	2000 - 3000	1.5 - 2

SUPPORT SYSTEMS (C SUPPORT)

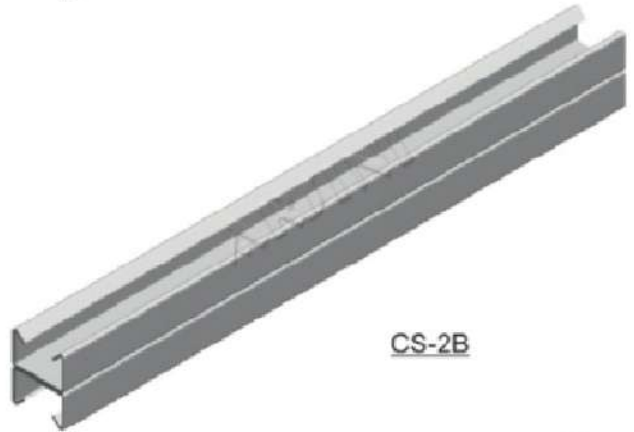
C channel double profiles



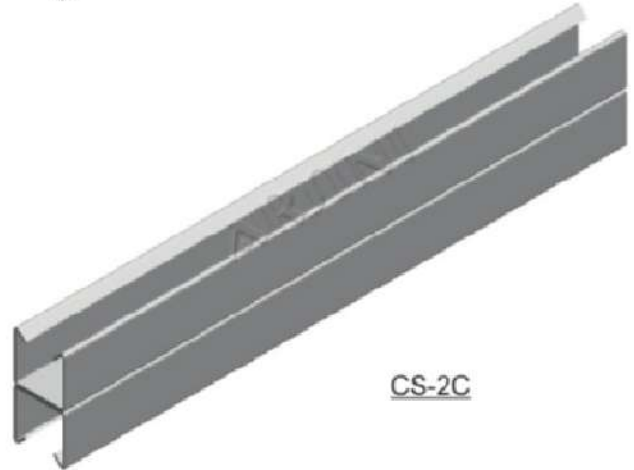
NOTES:
1. (?) *H.D.G: Hot dip galvanized*
P.G: Pre galvanized
C: Colored



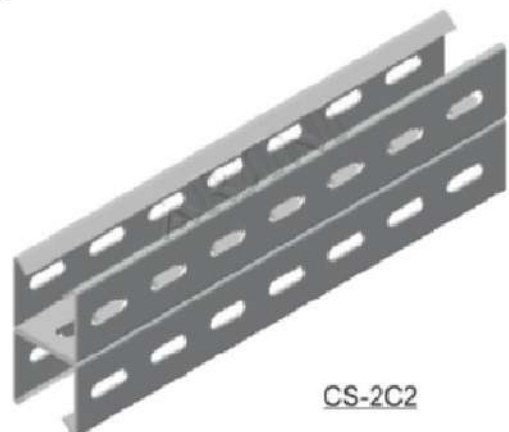
CS-2A



CS-2B



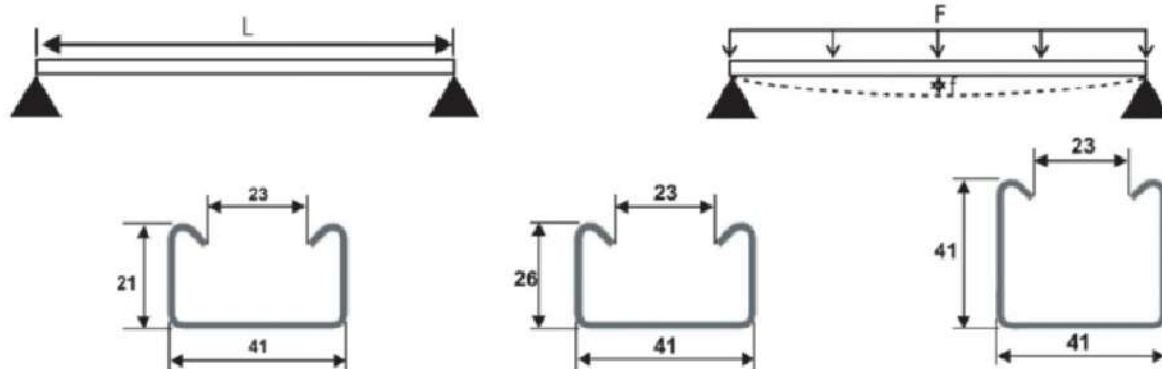
CS-2C



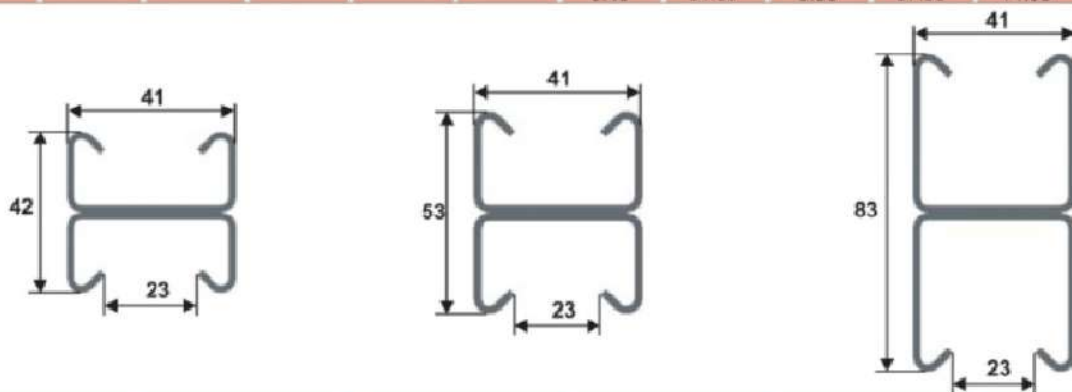
CS-2C2

ORDER CODE	L mm	T mm
CS-2A-T-?	2000 - 3000	1.5 - 2
CS-2A1-T-?	2000 - 3000	1.5 - 2
CS-2B-T-?	2000 - 3000	1.5 - 2
CS-2B1-T-?	2000 - 3000	1.5 - 2
CS-2C-T-?	2000 - 3000	1.5 - 2
CS-2C1-T-?	2000 - 3000	1.5 - 2
CS-2C2-T-?	2000 - 3000	1.5 - 2

C channel support static value



L (mm)	21x41x2		21x41x2,5		26x41x2		26x41x2,5		41x41x2		41x41x2,5	
	F (kg)	f (mm)	F (kg)	f (mm)	F (kg)	f (mm)	F (kg)	f (mm)	F (kg)	f (mm)	F (kg)	f (mm)
250	39.00	0.43	49.00	0.59	43.20	0.67	54.00	0.34	90.00	0.37	140.00	0.24
500	19.50	1.72	24.50	2.35	21.60	2.66	27.00	1.36	45.00	1.48	70.00	0.94
750	13.00	3.87	16.33	5.28	14.40	5.99	18.00	3.07	30.00	3.35	46.67	2.12
1000	9.75	6.88	12.29	9.39	10.80	10.64	13.50	5.45	22.50	5.92	35.00	3.77
1250	7.80	10.74	9.80	11.66	8.64	16.63	10.80	8.52	18.00	9.26	28.00	5.90
1500	6.50	15.47	8.17	21.22	7.20	23.85	9.00	12.26	15.00	13.30	23.33	8.49
1750	5.57	21.06	7.00	28.74	6.17	32.60	7.71	16.69	12.86	18.14	20.00	11.56
2000	4.88	27.50	6.13	37.54			6.75	21.80	11.25	23.70	17.50	15.10
2250							6.00	27.59	10.00	29.94	15.56	19.11
2500							5.40	34.06	9.00	37.83	14.00	23.59



L (mm)	D21x41x2		D21x41x2,5		D26x41x2		D26x41x2,5		D41x41x2		4D1x41x2,5	
	F (kg)	f (mm)	F (kg)	f (mm)	F (kg)	f (mm)	F (kg)	f (mm)	F (kg)	f (mm)	F (kg)	f (mm)
250	90.00	0.32	140.00	0.20	150.00	0.29	-	-	-	-	-	-
500	45.00	1.28	70.00	0.82	75.00	1.14	160.00	1.00	-	-	-	-
750	30.00	2.89	46.67	1.84	50.00	2.57	106.67	2.25	133.33	1.79	166.70	0.91
1000	22.50	5.14	35.00	3.27	37.50	4.57	80.00	3.99	100.00	3.17	125.00	1.62
1250	18.00	8.02	28.00	5.11	30.00	7.14	64.00	6.24	80.00	4.96	100.00	2.54
1500	15.00	11.56	23.33	7.36	25.00	10.28	53.33	8.99	66.70	7.14	83.33	3.66
1750	12.86	15.73	20.00	10.02	21.43	14.00	45.71	12.23	57.14	9.72	71.43	4.28
2000	11.25	20.54	17.50	13.09	18.75	18.28	40.00	15.98	50.00	12.10	62.50	6.50
2250	10.00	26.00	15.56	16.57	16.67	23.14	35.56	20.22	44.40	16.07	55.56	8.23
2500	9.00	30.10	14.00	20.45	15.00	28.57	32.00	24.96	40.00	19.84	50.00	10.16

SUPPORT SYSTEMS (C SUPPORT)

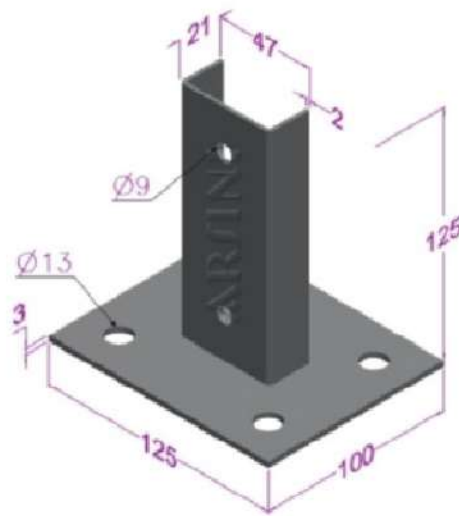
1- C hanging support systems

NOTES:

1. (?) *H.D.G: Hot dip galvanized*
P.G: Pre galvanized
C: Colored

ORDER CODE	L mm	T mm
1CS-21-T-?	125	2

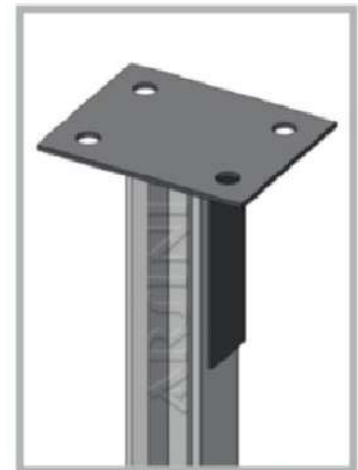
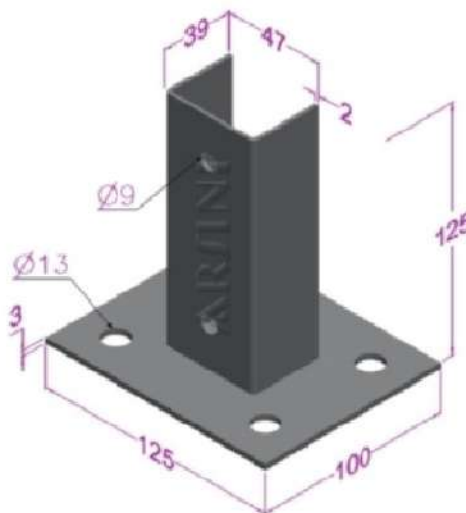
ORDER CODE	L mm	T mm
1CS-41-T-?	125	2
1CS-21D-T-?	125	2



Connection Example



Connection Example

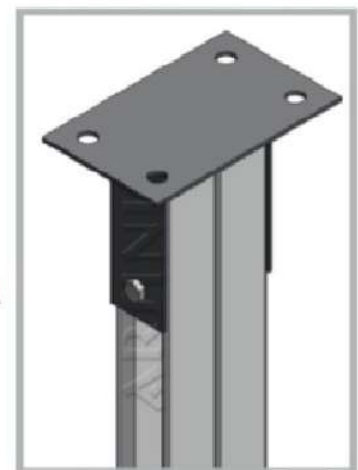
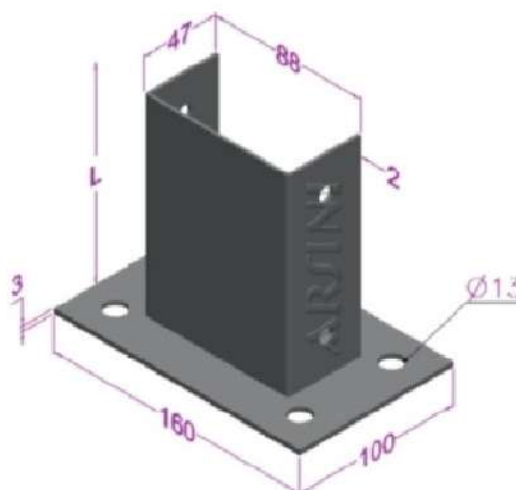


Connection Example

ORDER CODE	L mm	T mm
1CS-41D-T-?	125	2

NOTES:

1. (?) *H.D.G: Hot dip galvanized*
P.G: Pre galvanized
C: Colored



Connection Example

2- C hanging support

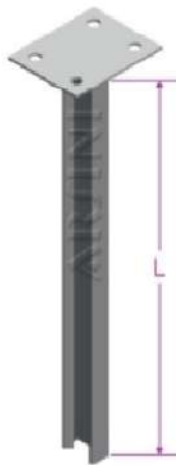
NOTES:

1. (?) *H.D.G: Hot dip galvanized*
P.G: Pre galvanized
C: Colored

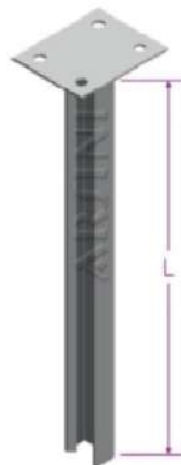
ORDER CODE	L mm	T mm
2CS-21-LT-?	200-250-400-500-650-1000-1500	2
2CS-26-LT-?	200-250-400-500-650-1000-1500	2
2CS-41-LT-?	200-250-400-500-650-1000-1500	2
2CS-21D-LT-?	200-250-400-500-650-1000-1500	2
2CS-26D-LT-?	200-250-400-500-650-1000-1500	2
2CS-41D-LT-?	200-250-400-500-650-1000-1500	2



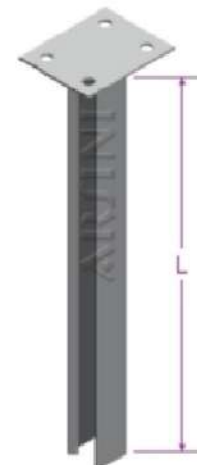
Connection Example



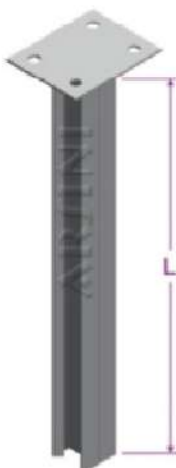
2CS-21



2CS-26



2CS-41



2CS-21D



2CS-26D



2CS-41D

SUPPORT SYSTEMS (C SUPPORT)

C support static valuse unilateral loading

CS-21 static valuse un ilateral loading

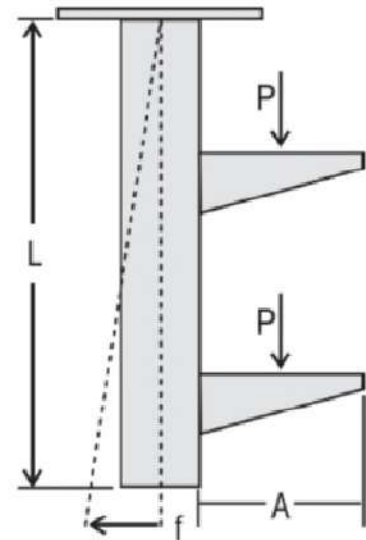
Length of bracket (A)	200	200	200	400	400	400	600	600	600
P (kg)	50	100	150	35	70	105	25	50	75
F=(mm) L=500mm	3	5		3	5		3	5	
F=(mm) L=1000mm	6	12	20	6	12	20	7	14	21
F=(mm) L=2000mm	9	17		11	20		11	20	

CS-26 static valuse un ilateral loading

Length of bracket (A)	200	200	200	400	400	400	600	600	600
P (kg)	63	125	190	45	90	135	31	62	93
F=(mm) L=500mm	3	5		3	5		3	5	
F=(mm) L=1000mm	6	12	20	6	12	20	7	14	21
F=(mm) L=2000mm	9	17		11	20		11	20	

CS-41 static valuse un ilateral loading

Length of bracket (A)	200	200	200	400	400	400	600	600	600
P (kg)	100	200	300	70	140	210	50	100	150
F=(mm) L=500mm	3	5		3	5		3	5	
F=(mm) L=1000mm	6	12	20	6	12	20	7	14	21
F=(mm) L=2000mm	9	17		11	20		11	20	



C support double sides loading

CS-21D static valuse double sides loading F=0

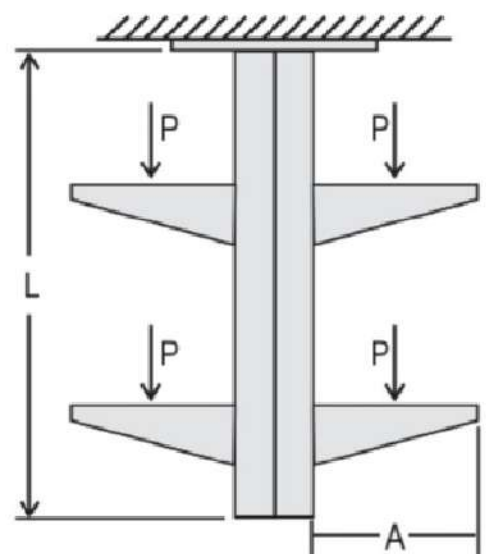
Length of bracket (A)	200	200	200	400	400	400	600	600	600
P (kg)	63	125	190	45	90	135	31	62	93
F=(mm)	0	0	0	0	0	0	0	0	0

CS-26D static valuse double sides loading F=0

Length of bracket (A)	200	200	200	400	400	400	600	600	600
P (kg)	63	125	190	45	90	135	31	62	93
F=(mm)	0	0	0	0	0	0	0	0	0

CS-41D static valuse double sides loading F=0

Length of bracket (A)	200	200	200	400	400	400	600	600	600
P (kg)	200	400	600	140	280	400	100	200	300
F=(mm)	0	0	0	0	0	0	0	0	0

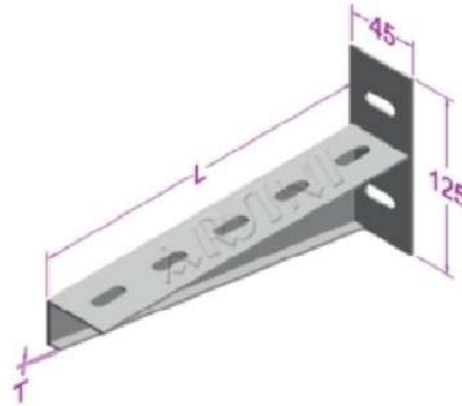


3- C support brackets

NOTES:

1. (?) H.D.G: Hot dip galvanized
P.G: Pre galvanized
C: Colored

ORDER CODE	L mm	T mm
3CS-5-T-?	50	2
3CS-10-T-?	100	2
3CS-15-T-?	150	2
3CS-20-T-?	200	2
3CS-25-T-?	250	2
3CS-30-T-?	300	2
3CS-40-T-?	400	2
3CS-50-T-?	500	2
3CS-60-T-?	600	2



Connection Example

4- C support brackets

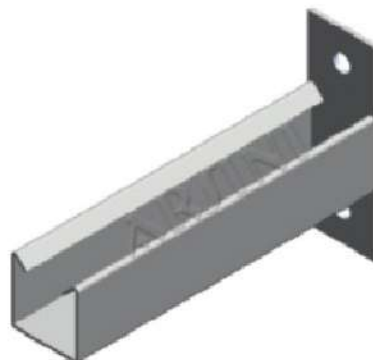
ORDER CODE	L mm	T mm
4CS-5-T-?	50	2
4CS-10-T-?	100	2
4CS-15-T-?	150	2
4CS-20-T-?	200	2
4CS-25-T-?	250	2
4CS-30-T-?	300	2
4CS-40-T-?	400	2
4CS-50-T-?	500	2
4CS-60-T-?	600	2



Connection Example

5- C support brackets

ORDER CODE	L mm	T mm
5CS-5-T-?	50	2
5CS-10-T-?	100	2
5CS-15-T-?	150	2
5CS-20-T-?	200	2
5CS-25-T-?	250	2
5CS-30-T-?	300	2
5CS-40-T-?	400	2
5CS-50-T-?	500	2
5CS-60-T-?	600	2

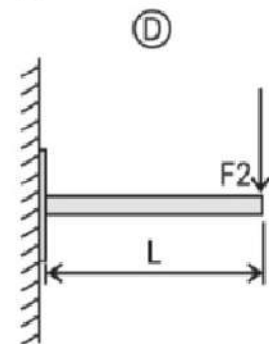
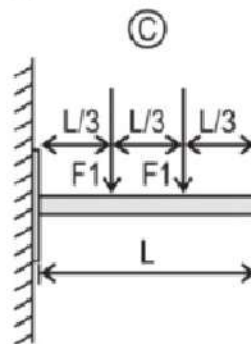
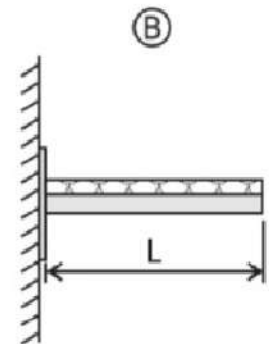
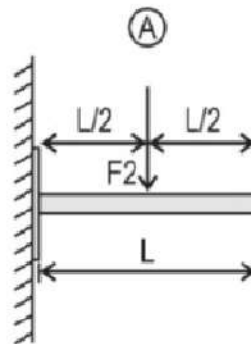


Connection Example

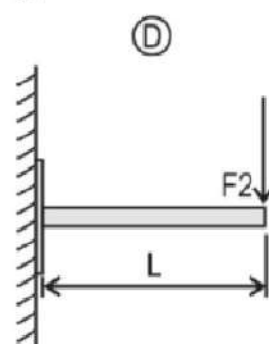
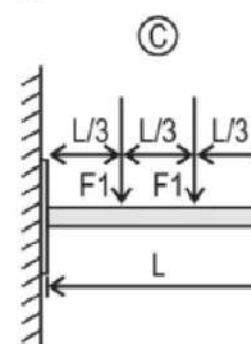
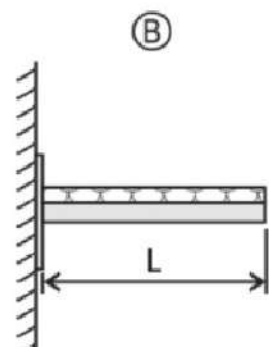
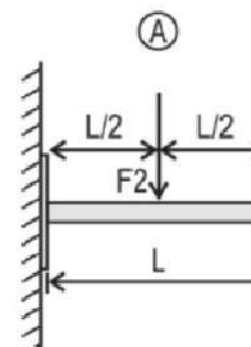
SUPPORT SYSTEMS (C SUPPORT)

C support brackets max loading of carrier capacity

ORDER CODE	A (kg)	B (kg)	C (kg)	D (kg)
3CS-5	750	750	375	375
3CS-10	700	700	350	350
3CS-15	600	600	300	300
3CS-20	500	500	250	250
3CS-25	380	380	190	190
3CS-30	300	300	150	150
3CS-40	240	240	120	120
3CS-50	187	187	94	94
3CS-60	150	150	75	75



ORDER CODE	A (kg)	B (kg)	C (kg)	D (kg)
4CS-5	280	280	140	140
4CS-10	240	240	120	120
4CS-15	210	210	105	105
4CS-20	175	175	88	88
4CS-25	125	125	63	63
4CS-30	103	103	52	52
4CS-40	70	70	35	35
4CS-50	-	-	-	-
4CS-60	-	-	-	-



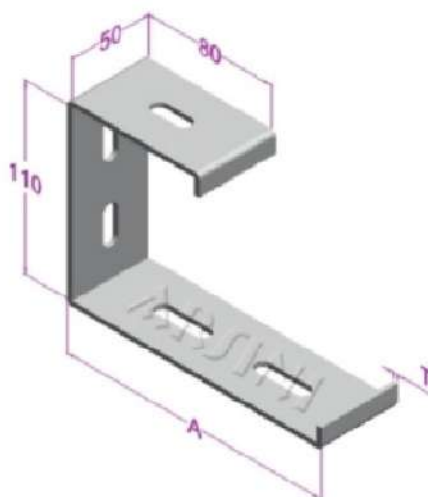
ORDER CODE	A (kg)	B (kg)	C (kg)	D (kg)
5CS-5	800	800	400	400
5CS-10	740	740	370	370
5CS-15	620	620	315	315
5CS-20	527	527	263	263
5CS-25	400	400	200	200
5CS-30	315	315	157	157
5CS-40	247	247	123	123
5CS-50	195	195	98	98
5CS-60	158	158	79	79

Tray carriers

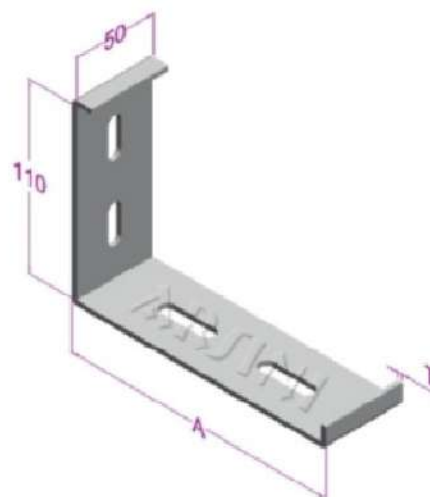
NOTES:

- 1. (?) H.D.G: Hot dip galvanized
- P.G: Pre galvanized
- C: Colored

ORDER CODE	L mm	T mm
STB1-5-T-?	50	3
STB1-10-T-?	100	3
STB1-15-T-?	150	3
STB1-20-T-?	200	3
STB2-5-T-?	50	3
STB2-10-T-?	100	3
STB2-15-T-?	150	3
STB2-20-T-?	200	3

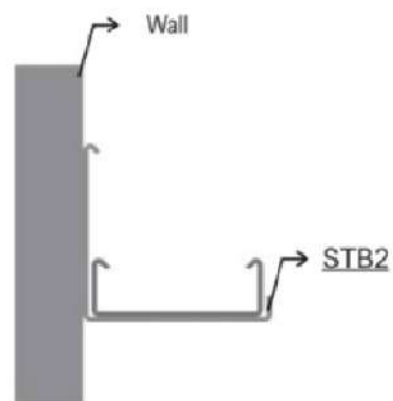
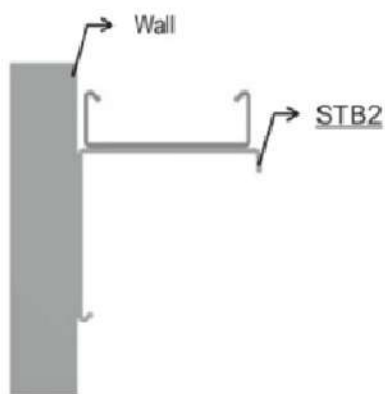
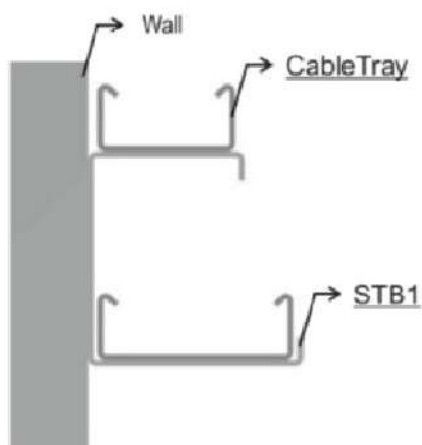
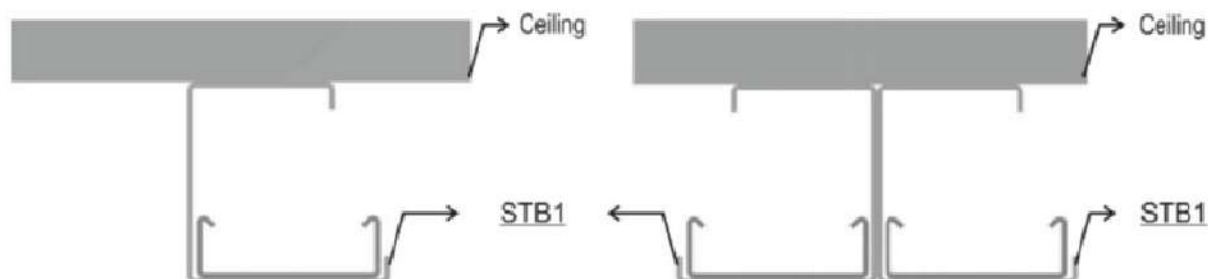


STB1



STB2

Connection example

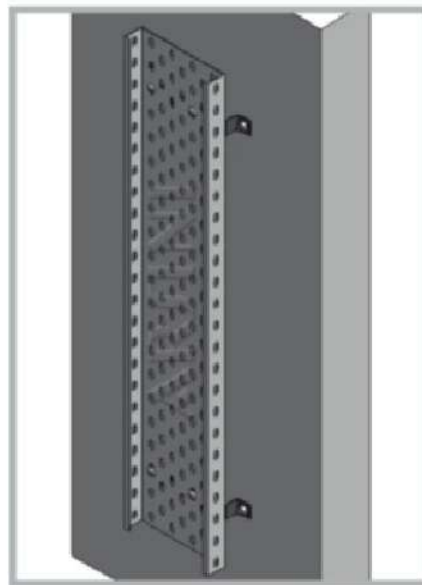
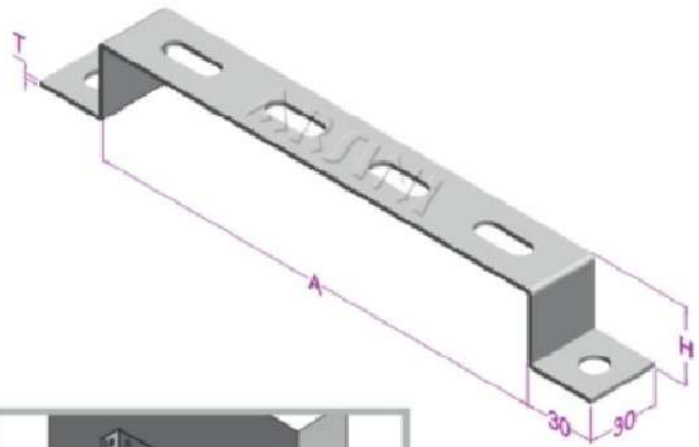


Fixing element for wall and floor mounting

NOTES:

- 1. (?) H.D.G: Hot dip galvanized
- P.G: Pre galvanized
- C: Colored

ORDER CODE	L mm	H mm	T mm
FAW-5-?	50	30	2
FAW-10-?	100	30	2
FAW-15-?	150	30	2
FAW-20-?	200	30	2
FAW-25-?	250	30	2
FAW-30-?	300	30	2
FAW-40-?	400	30	3
FAW-50-?	500	30	3
FAW-60-?	600	30	3
FAW-5-?	50	50	2
FAW-10-?	100	50	2
FAW-15-?	150	50	2
FAW-20-?	200	50	2
FAW-25-?	250	50	2
FAW-30-?	300	50	2
FAW-40-?	400	50	3
FAW-50-?	500	50	3
FAW-60-?	600	50	3



Connection Example

Wall part determined

NOTES:

- 1. (?) H.D.G: Hot dip galvanized
- P.G: Pre galvanized
- C: Colored

ORDER CODE	L mm	H mm	T mm
FAW-?	200	100	2

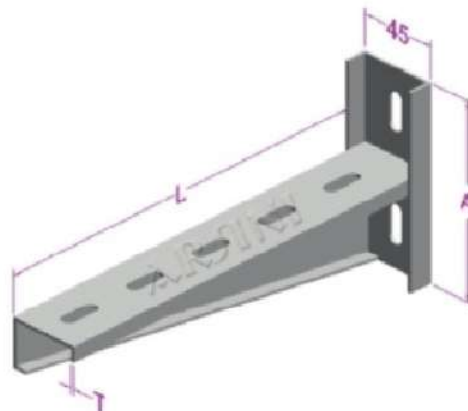


1- Bracket for wall (T welded)

NOTES:

1. (?) *H.D.G: Hot dip galvanized*
P.G: Pre galvanized
C: Colored

ORDER CODE	L mm	A mm	T mm
BW1-5-T-?	50	100	1.5-2
BW1-10-T-?	100	100	1.5-2
BW1-15-T-?	150	100	1.5-2
BW1-20-T-?	200	100	1.5-2
BW1-25-T-?	250	100	1.5-2
BW1-30-T-?	300	100	1.5-2
BW1-40-T-?	400	150	1.5-2
BW1-50-T-?	500	150	1.5-2
BW1-60-T-?	600	150	1.5-2



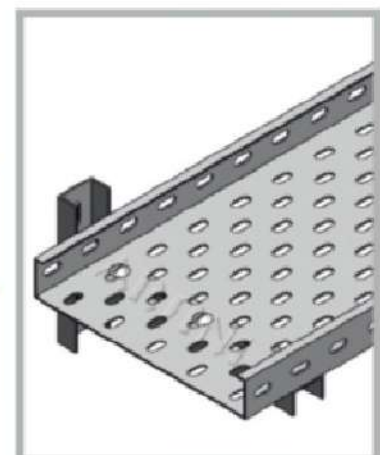
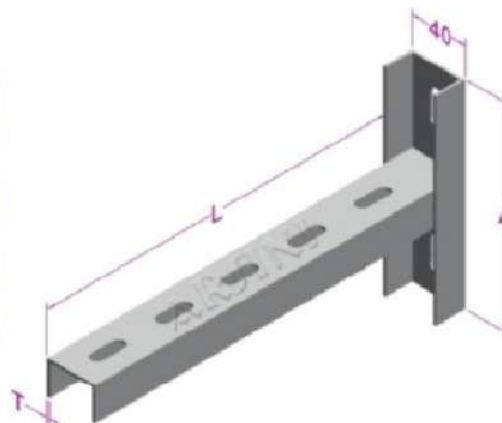
Connection Example

2- Bracket for wall (T welded)

NOTES:

1. (?) *H.D.G: Hot dip galvanized*
P.G: Pre galvanized
C: Colored

ORDER CODE	L mm	A mm	T mm
BW2-5-T-?	50	150	1.5-2
BW2-10-T-?	100	150	1.5-2
BW2-15-T-?	150	150	1.5-2
BW2-20-T-?	200	150	1.5-2
BW2-25-T-?	250	150	1.5-2
BW2-30-T-?	300	150	1.5-2
BW2-40-T-?	400	200	1.5-2
BW2-50-T-?	500	200	1.5-2
BW2-60-T-?	600	200	1.5-2



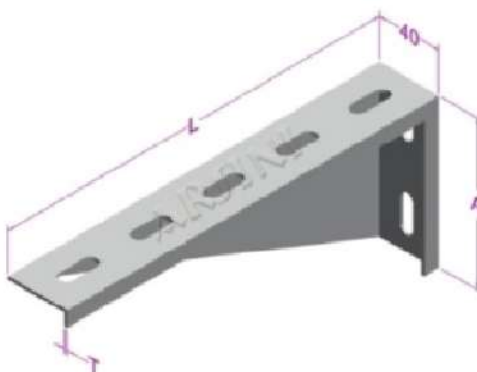
Connection Example

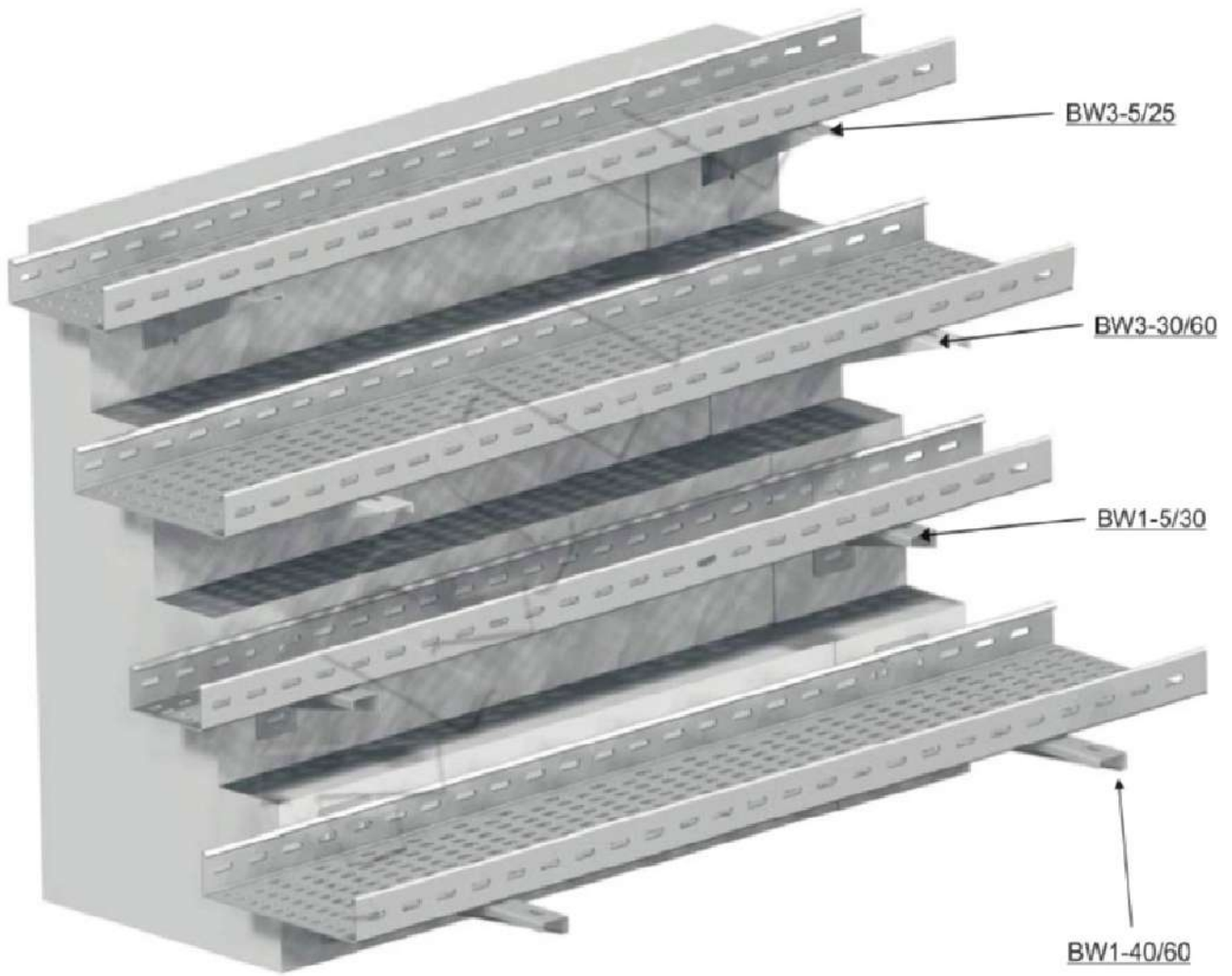
3- Bracket for wall (L without welded)

NOTES:

1. (?) *H.D.G: Hot dip galvanized*
P.G: Pre galvanized
C: Colored

ORDER CODE	L mm	A mm	T mm
BW3-5-T-?	50	100	1.5-2
BW3-10-T-?	100	100	1.5-2
BW3-15-T-?	150	100	1.5-2
BW3-20-T-?	200	100	1.5-2
BW3-25-T-?	250	100	1.5-2
BW3-30-T-?	300	140	1.5-2
BW3-40-T-?	400	140	1.5-2
BW3-50-T-?	500	140	1.5-2
BW3-60-T-?	600	140	1.5-2

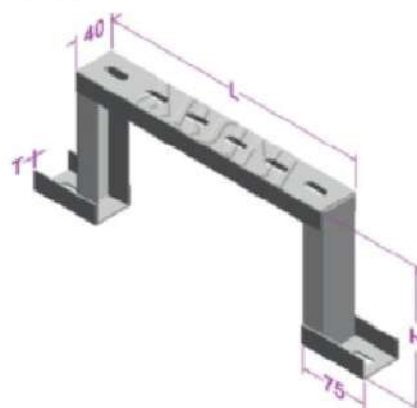




1- Support for floor (welded)

NOTES:

1. (?) *H.D.G: Hot dip galvanized*
P.G: Pre galvanized
C: Colored



ORDER CODE	L mm	H mm	T mm
SF1-5-HT-?	50	50-100-200-300-400-500	1.5-2
SF1-10-HT-?	100	50-100-200-300-400-500	1.5-2
SF1-15-HT-?	150	50-100-200-300-400-500	1.5-2
SF1-20-HT-?	200	50-100-200-300-400-500	1.5-2
SF1-25-HT-?	250	50-100-200-300-400-500	1.5-2
SF1-30-HT-?	300	50-100-200-300-400-500	1.5-2
SF1-40-HT-?	400	50-100-200-300-400-500	1.5-2
SF1-50-HT-?	500	50-100-200-300-400-500	1.5-2
SF1-60-HT-?	600	50-100-200-300-400-500	1.5-2

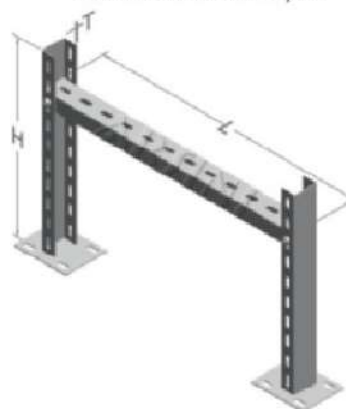


Connection Example

2- Support for floor (bolted)

NOTES:

1. (?) *H.D.G: Hot dip galvanized*
P.G: Pre galvanized
C: Colored



ORDER CODE	L mm	H mm	T mm
SF2-5-HT-?	50	50-100-200-300-400-500	1.5-2
SF2-10-HT-?	100	50-100-200-300-400-500	1.5-2
SF2-15-HT-?	150	50-100-200-300-400-500	1.5-2
SF2-20-HT-?	200	50-100-200-300-400-500	1.5-2
SF2-25-HT-?	250	50-100-200-300-400-500	1.5-2
SF2-30-HT-?	300	50-100-200-300-400-500	1.5-2
SF2-40-HT-?	400	50-100-200-300-400-500	1.5-2
SF2-50-HT-?	500	50-100-200-300-400-500	1.5-2
SF2-60-HT-?	600	50-100-200-300-400-500	1.5-2



Connection Example

Bolts & Nuts & Washers



1



2



3



9



4



5



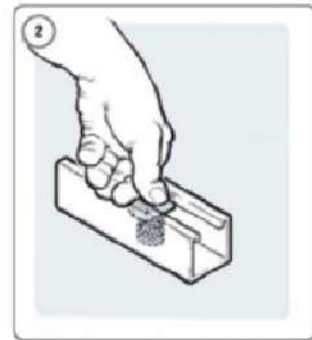
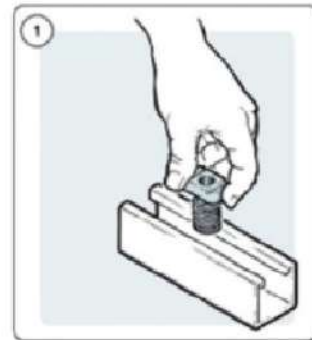
6



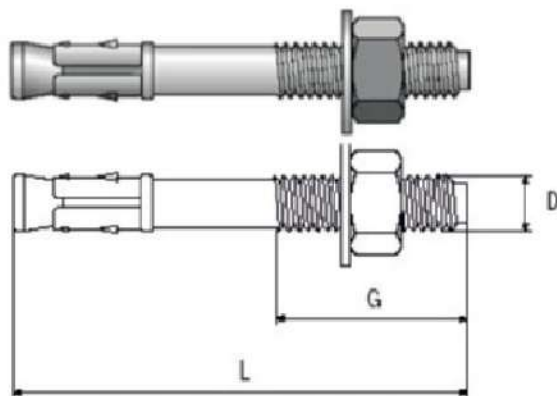
7



8



10

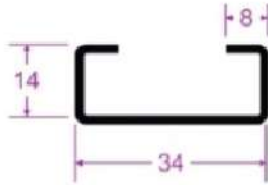


ORDER CODE	∅ D mm	L mm	Description
1-6-L	M6	16-20-25-30	Slotted Truss Head
1-8-L	M8	16-20-25-30	Slotted Truss Head
2-6-L	M6	16-20-25-30	Hex Screw
2-8-L	M8	16-20-25-30	Hex Screw
3-6-L	M6	16-20-25-30	Cup Head Square Neck
3-8-L	M8	16-20-25-30	Cup Head Square Neck
4-6	M6	16	Flat Washer
4-8	M8	20	Flat Washer
5-6	M6	16	Spring Lock Washer
5-8	M8	20	Spring Lock Washer
6-6	M6		Square Nut
6-8	M8		Square Nut
7-6	M6		Hex Nut
7-8	M8		Hex Nut
8-6	M6		Hex Flange Nut
8-8	M8		Hex Flange Nut
9-6	M6		Spring Nut
9-8	M8		Spring Nut
9-10	M10		Spring Nut
10-8-L	M8	50-75-100-150	Rawl Bolt
10-10-L	M10	60-75-100-150	Rawl Bolt
10-12-L	M12	60-75-100-150	Rawl Bolt

1- Profile rail

NOTES:

1. (?) P.G: Pre galvanized



ORDER CODE	L mm	H mm	T mm
PR-T	1000	10	1-1.25 - 1.5

2- Clamp Clip for rail

ORDER CODE	A mm	T mm
CC 8-12	12	2
CC 12-16	16	2
CC 16-20	20	2
CC 18-25	25	2
CC 20-24	24	2
CC 24-28	28	2
CC 28-32	32	2
CC 32-36	36	2
CC 36-40	40	2
CC 40-44	44	2
CC 44-48	48	2
CC 48-52	52	2
CC 52-56	56	2
CC 56-60	60	2



Connection Example



Connection Example



Connection Example

ARSINI®

کل جریان با ما



www.barghzoom.com

