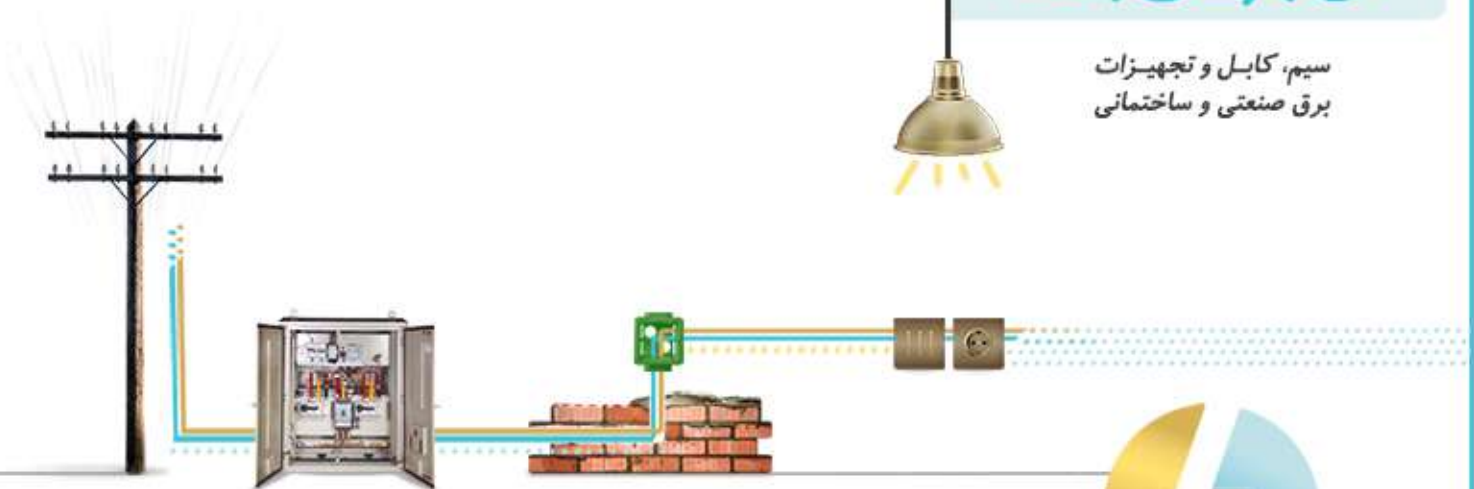


# برق و صنعت سروین

کل جریان با ما

سیم، کابل و تجهیزات  
برق صنعتی و ساختمانی



- ☎ ۰۲۱-۹۱۰ ۱۵ ۳۳۳ | ۰۲۱-۶۶ ۳۴۴۰ ۹۵
- 📍 دفتر مرکزی: تهران . لاله‌زار شمالی. پاساژ ایرانیان. طبقه دوم. واحد ۱۲۲
- ☎ ۰۸۶-۹۱۰ ۱۵ ۳۳۳
- 📍 اراک. خیابان شهید بهشتی. خیابان عضد. نبش عضد یک



w w w . b a r g h z o o m . c o m



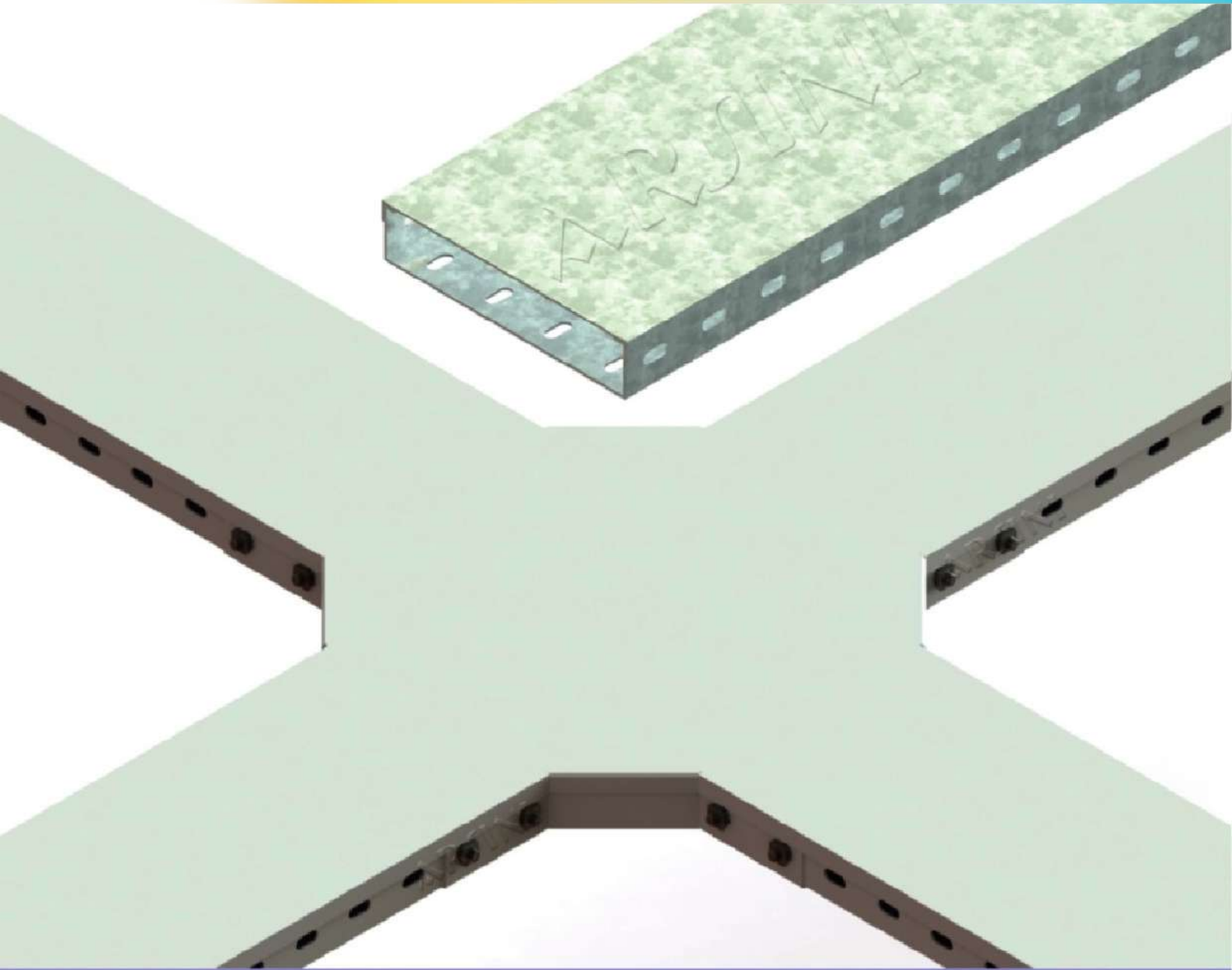
# ARSINI®

[www.eai-co.com](http://www.eai-co.com) / [eaindustry@yahoo.com](mailto:eaindustry@yahoo.com)

کل جریان با م



[www.barghzoom.com](http://www.barghzoom.com)



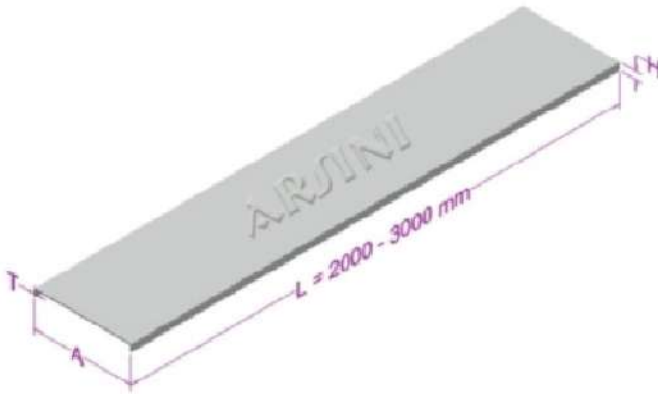
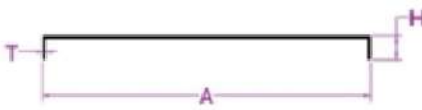
**CABLE TRAY & LADDER COVERS**

## CABLE TRAY & LADDER COVERS

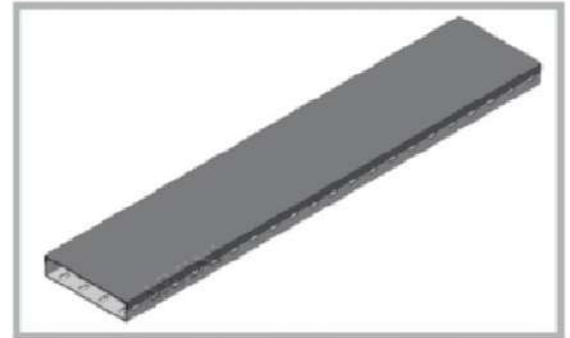
### 1- Cable tray and ladder cover

**NOTES:**

- 1. (?) → **H.D.G:** Hot dip galvanized
- P.G:** Pre galvanized
- C:** Colored



ORDER CODE	A mm	H mm	L mm	T mm
1-5T-?	50	15	2000-3000	1 - 1.25
1-10T-?	100	15	2000-3000	1 - 1.25 - 1.5 - 2
1-15T-?	150	15	2000-3000	1 - 1.25 - 1.5 - 2
1-20T-?	200	15	2000-3000	1 - 1.25 - 1.5 - 2
1-25T-?	250	15	2000-3000	1 - 1.25 - 1.5 - 2
1-30T-?	300	15	2000-3000	1.25 - 1.5 - 2
1-40T-?	400	15	2000-3000	1.25 - 1.5 - 2
1-50T-?	500	15	2000-3000	1.5 - 2
1-60T-?	600	15	2000-3000	1.5 - 2
1-70T-?	700	15	2000-3000	2
1-80T-?	800	15	2000-3000	2
1-90T-?	900	15	2000-3000	2
1-100T-?	1000	15	2000-3000	2

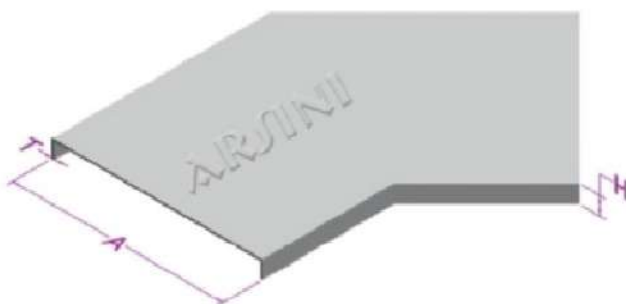


Connection Example

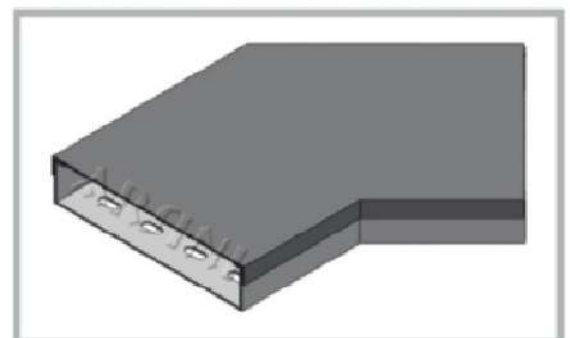
### 2- Cover of horizontal bend 45 degree

**NOTES:**

- 1. (?) → **H.D.G:** Hot dip galvanized
- P.G:** Pre galvanized
- C:** Colored



ORDER CODE	A mm	H mm	T mm
2-5T-?	50	15	1 - 1.25
2-10T-?	100	15	1 - 1.25 - 1.5 - 2
2-15T-?	150	15	1 - 1.25 - 1.5 - 2
2-20T-?	200	15	1 - 1.25 - 1.5 - 2
2-25T-?	250	15	1 - 1.25 - 1.5 - 2
2-30T-?	300	15	1.25 - 1.5 - 2
2-40T-?	400	15	1.25 - 1.5 - 2
2-50T-?	500	15	1.5 - 2
2-60T-?	600	15	1.5 - 2
2-70T-?	700	15	2
2-80T-?	800	15	2
2-90T-?	900	15	2
2-100T-?	1000	15	2



Connection Example

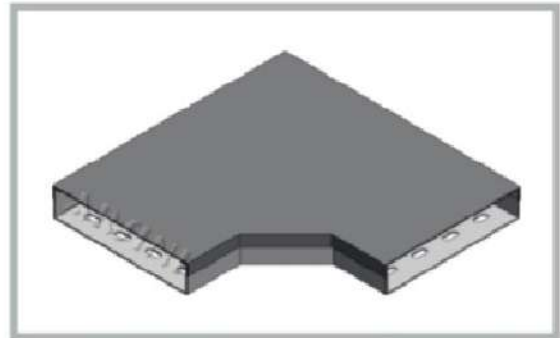
### 3- Cover of horizontal bend 90 degree For cable tray (TA) & ladder

**NOTES:**

1. (?) → *H.D.G: Hot dip galvanized*  
*P.G: Pre galvanized*  
*C: Colored*



ORDER CODE	A mm	H mm	T mm
3-5T-?	50	15	1 - 1.25
3-10T-?	100	15	1 - 1.25 - 1.5 - 2
3-15T-?	150	15	1 - 1.25 - 1.5 - 2
3-20T-?	200	15	1 - 1.25 - 1.5 - 2
3-25T-?	250	15	1 - 1.25 - 1.5 - 2
3-30T-?	300	15	1.25 - 1.5 - 2
3-40T-?	400	15	1.25 - 1.5 - 2
3-50T-?	500	15	1.5 - 2
3-60T-?	600	15	1.5 - 2
3-70T-?	700	15	2
3-80T-?	800	15	2
3-90T-?	900	15	2
3-100T-?	1000	15	2

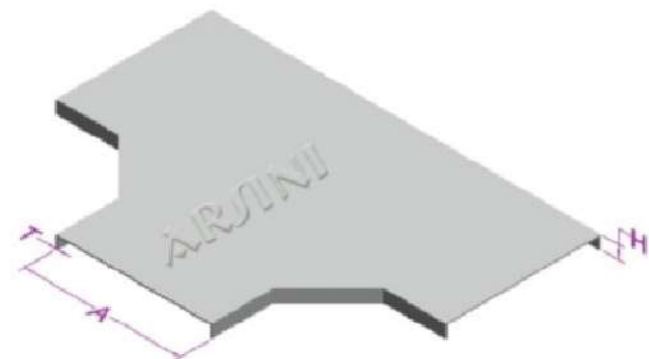


Connection Example

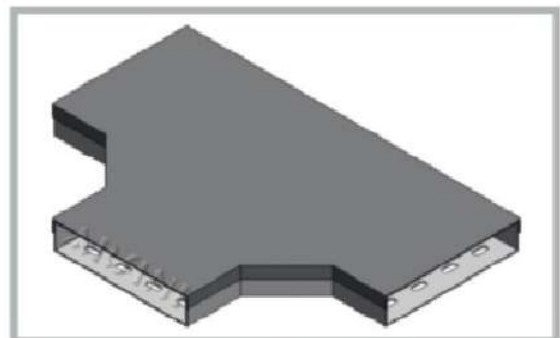
### 4- Cover of horizontal tee For cable tray (TA) & ladder

**NOTES:**

1. (?) → *H.D.G: Hot dip galvanized*  
*P.G: Pre galvanized*  
*C: Colored*



ORDER CODE	A mm	H mm	T mm
4-5T-?	50	15	1 - 1.25
4-10T-?	100	15	1 - 1.25 - 1.5 - 2
4-15T-?	150	15	1 - 1.25 - 1.5 - 2
4-20T-?	200	15	1 - 1.25 - 1.5 - 2
4-25T-?	250	15	1 - 1.25 - 1.5 - 2
4-30T-?	300	15	1.25 - 1.5 - 2
4-40T-?	400	15	1.25 - 1.5 - 2
4-50T-?	500	15	1.5 - 2
4-60T-?	600	15	1.5 - 2
4-70T-?	700	15	2
4-80T-?	800	15	2
4-90T-?	900	15	2
4-100T-?	1000	15	2



Connection Example

## CABLE TRAY & LADDER COVERS

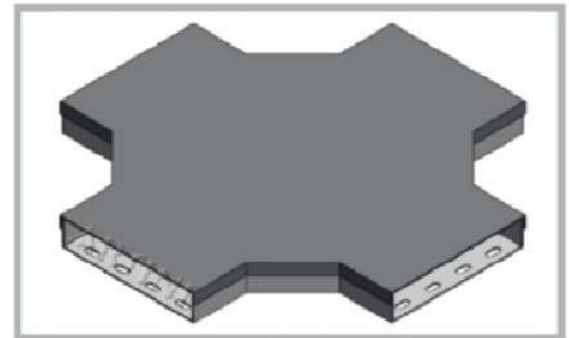
### 5- Cover of horizontal crossing For cable tray (TA) & ladder

**NOTES:**

1. (?) → H.D.G: Hot dip galvanized  
P.G: Pre galvanized  
C: Colored



ORDER CODE	A mm	H mm	T mm
5-5T-?	50	15	1 - 1.25
5-10T-?	100	15	1 - 1.25 - 1.5 - 2
5-15T-?	150	15	1 - 1.25 - 1.5 - 2
5-20T-?	200	15	1 - 1.25 - 1.5 - 2
5-25T-?	250	15	1 - 1.25 - 1.5 - 2
5-30T-?	300	15	1.25 - 1.5 - 2
5-40T-?	400	15	1.25 - 1.5 - 2
5-50T-?	500	15	1.5 - 2
5-60T-?	600	15	1.5 - 2
5-70T-?	700	15	2
5-80T-?	800	15	2
5-90T-?	900	15	2
5-100T-?	1000	15	2

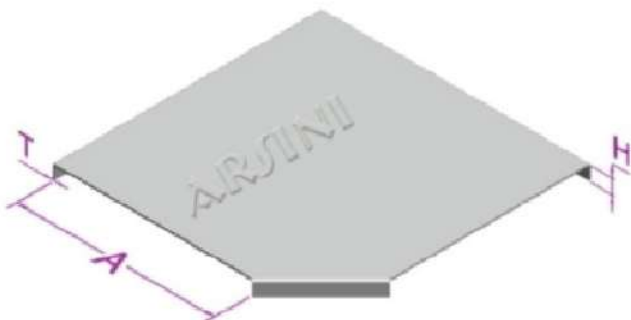


Connection Example

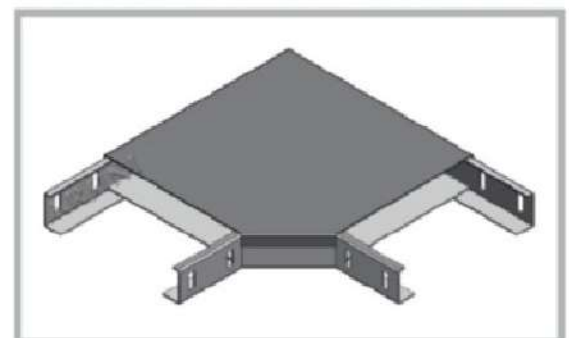
### 6- Cover of horizontal bend 90 degree for cable tray (TB-TC)

**NOTES:**

1. (?) → H.D.G: Hot dip galvanized  
P.G: Pre galvanized  
C: Colored



ORDER CODE	A mm	H mm	T mm
6-5T-?	50	15	1 - 1.25
6-10T-?	100	15	1 - 1.25 - 1.5 - 2
6-15T-?	150	15	1 - 1.25 - 1.5 - 2
6-20T-?	200	15	1 - 1.25 - 1.5 - 2
6-25T-?	250	15	1 - 1.25 - 1.5 - 2
6-30T-?	300	15	1.25 - 1.5 - 2
6-40T-?	400	15	1.25 - 1.5 - 2
6-50T-?	500	15	1.5 - 2
6-60T-?	600	15	1.5 - 2
6-70T-?	700	15	2
6-80T-?	800	15	2
6-90T-?	900	15	2
6-100T-?	1000	15	2

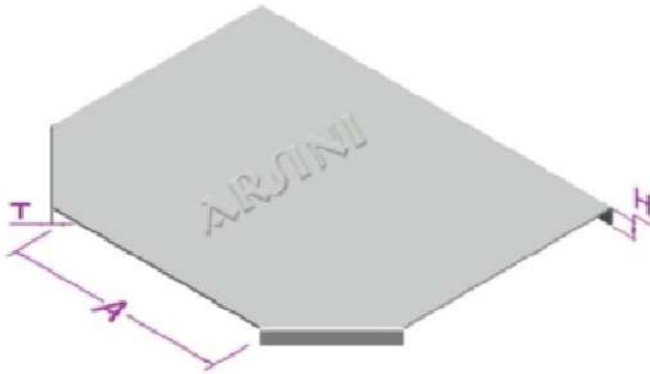


Connection Example

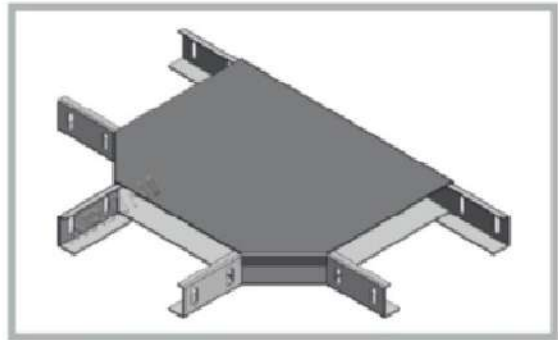
### 7- Cover of horizontal tee For cable tray (TA-TB)

**NOTES:**

1. (?) → *H.D.G: Hot dip galvanized*  
*P.G: Pre galvanized*  
*C: Colored*



ORDER CODE	A mm	H mm	T mm
7-5T-?	50	15	1 - 1.25
7-10T-?	100	15	1 - 1.25 - 1.5 - 2
7-15T-?	150	15	1 - 1.25 - 1.5 - 2
7-20T-?	200	15	1 - 1.25 - 1.5 - 2
7-25T-?	250	15	1 - 1.25 - 1.5 - 2
7-30T-?	300	15	1.25 - 1.5 - 2
7-40T-?	400	15	1.25 - 1.5 - 2
7-50T-?	500	15	1.5 - 2
7-60T-?	600	15	1.5 - 2
7-70T-?	700	15	2
7-80T-?	800	15	2
7-90T-?	900	15	2
7-100T-?	1000	15	2

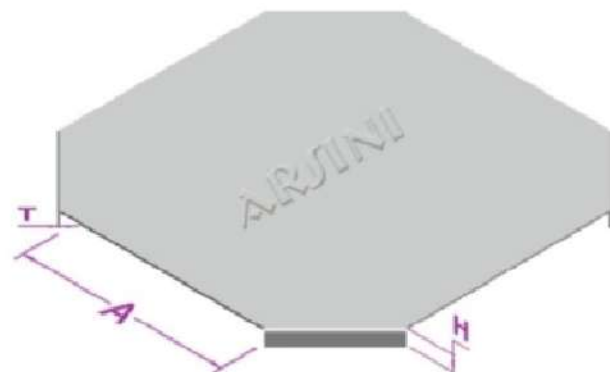


Connection Example

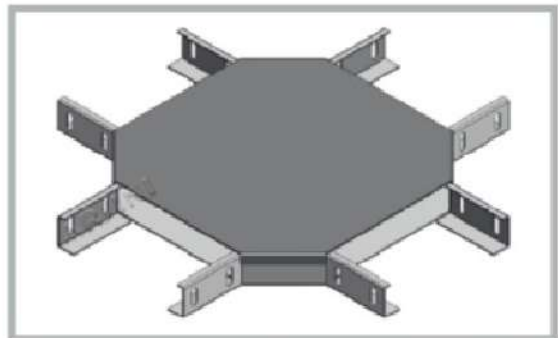
### 8- Cover of horizontal crossing For cable tray (TA-TB)

**NOTES:**

1. (?) → *H.D.G: Hot dip galvanized*  
*P.G: Pre galvanized*  
*C: Colored*



ORDER CODE	A mm	H mm	T mm
8-5T-?	50	15	1 - 1.25
8-10T-?	100	15	1 - 1.25 - 1.5 - 2
8-15T-?	150	15	1 - 1.25 - 1.5 - 2
8-20T-?	200	15	1 - 1.25 - 1.5 - 2
8-25T-?	250	15	1 - 1.25 - 1.5 - 2
8-30T-?	300	15	1.25 - 1.5 - 2
8-40T-?	400	15	1.25 - 1.5 - 2
8-50T-?	500	15	1.5 - 2
8-60T-?	600	15	1.5 - 2
8-70T-?	700	15	2
8-80T-?	800	15	2
8-90T-?	900	15	2
8-100T-?	1000	15	2



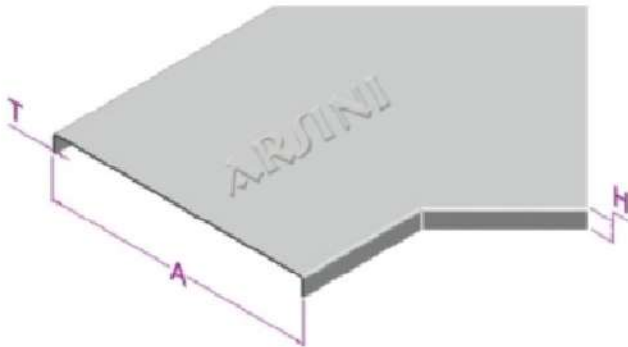
Connection Example

## CABLE TRAY & LADDER COVERS

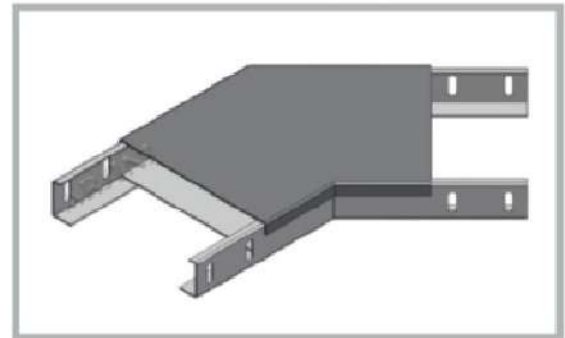
### 9- Cover of horizontal bend 45 degree For cable tray (TA-TB)

**NOTES:**

- 1. (?) → H.D.G: Hot dip galvanized
- P.G: Pre galvanized
- C: Colored



ORDER CODE	A mm	H mm	T mm
9-5T-?	50	15	1 - 1.25
9-10T-?	100	15	1 - 1.25 - 1.5 - 2
9-15T-?	150	15	1 - 1.25 - 1.5 - 2
9-20T-?	200	15	1 - 1.25 - 1.5 - 2
9-25T-?	250	15	1 - 1.25 - 1.5 - 2
9-30T-?	300	15	1.25 - 1.5 - 2
9-40T-?	400	15	1.25 - 1.5 - 2
9-50T-?	500	15	1.5 - 2
9-60T-?	600	15	1.5 - 2
9-70T-?	700	15	2
9-80T-?	800	15	2
9-90T-?	900	15	2
9-100T-?	1000	15	2

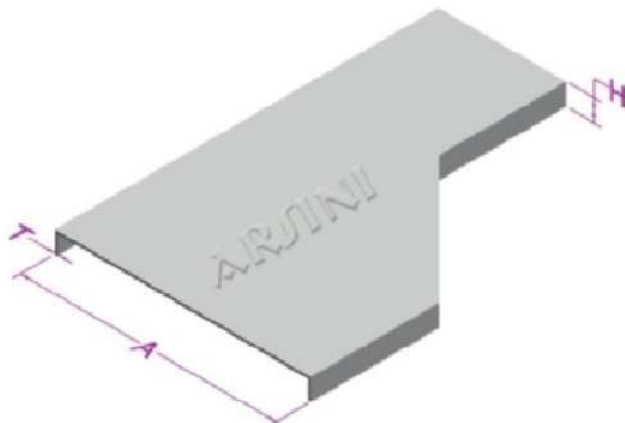


Connection Example

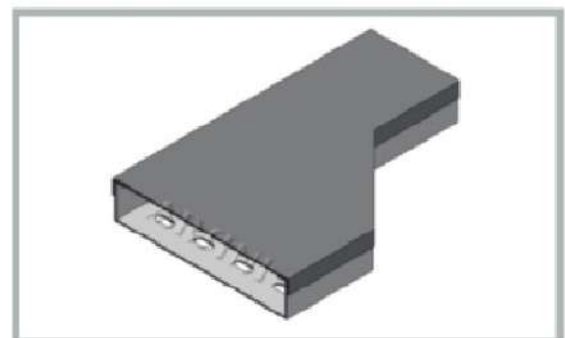
### 10- Cover of reducer (Left)

**NOTES:**

- 1. (?) → H.D.G: Hot dip galvanized
- P.G: Pre galvanized
- C: Colored



ORDER CODE	A mm	H mm	T mm
10-5T-?	50	15	1 - 1.25
10-10T-?	100	15	1 - 1.25 - 1.5 - 2
10-15T-?	150	15	1 - 1.25 - 1.5 - 2
10-20T-?	200	15	1 - 1.25 - 1.5 - 2
10-25T-?	250	15	1 - 1.25 - 1.5 - 2
10-30T-?	300	15	1.25 - 1.5 - 2
10-40T-?	400	15	1.25 - 1.5 - 2
10-50T-?	500	15	1.5 - 2
10-60T-?	600	15	1.5 - 2
10-70T-?	700	15	2
10-80T-?	800	15	2
10-90T-?	900	15	2
10-100T-?	1000	15	2

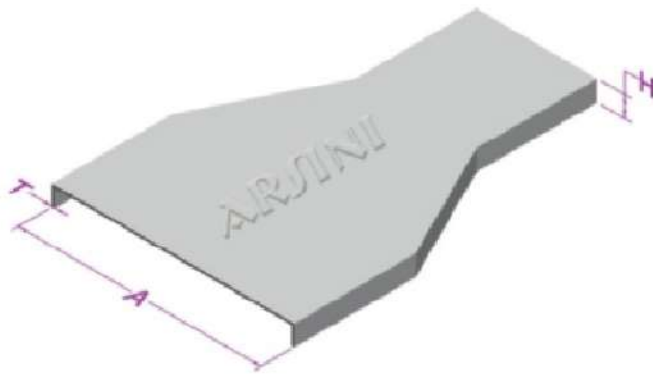


Connection Example

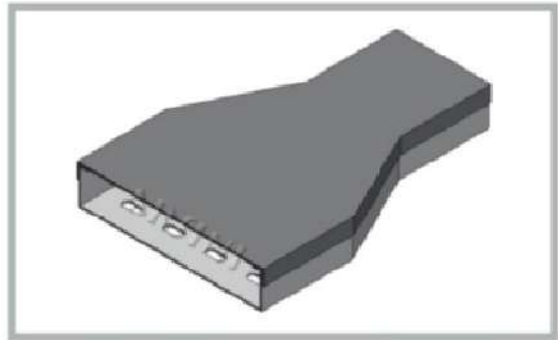
### 11- Cover of reducer (Middle)

**NOTES:**

1. (?) → *H.D.G: Hot dip galvanized*  
*P.G: Pre galvanized*  
*C: Colored*



ORDER CODE	A mm	H mm	T mm
11-5T-?	50	15	1 - 1.25
11-10T-?	100	15	1 - 1.25 - 1.5 - 2
11-15T-?	150	15	1 - 1.25 - 1.5 - 2
11-20T-?	200	15	1 - 1.25 - 1.5 - 2
11-25T-?	250	15	1 - 1.25 - 1.5 - 2
11-30T-?	300	15	1.25 - 1.5 - 2
11-40T-?	400	15	1.25 - 1.5 - 2
11-50T-?	500	15	1.5 - 2
11-60T-?	600	15	1.5 - 2
11-70T-?	700	15	2
11-80T-?	800	15	2
11-90T-?	900	15	2
11-100T-?	1000	15	2

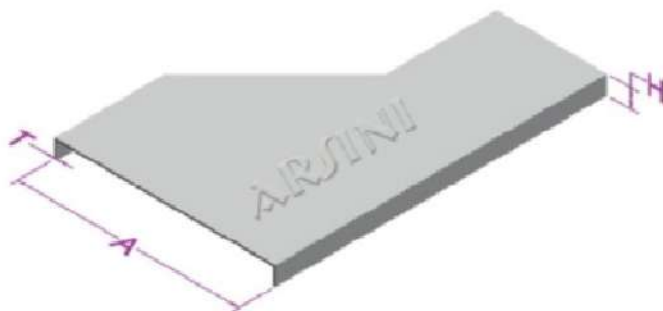


Connection Example

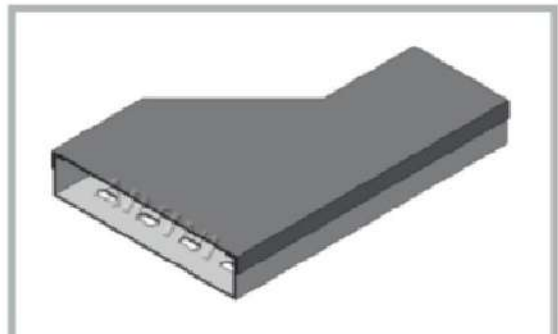
### 12- Cover of reducer (Right)

**NOTES:**

1. (?) → *H.D.G: Hot dip galvanized*  
*P.G: Pre galvanized*  
*C: Colored*



ORDER CODE	A mm	H mm	T mm
12-5T-?	50	15	1 - 1.25
12-10T-?	100	15	1 - 1.25 - 1.5 - 2
12-15T-?	150	15	1 - 1.25 - 1.5 - 2
12-20T-?	200	15	1 - 1.25 - 1.5 - 2
12-25T-?	250	15	1 - 1.25 - 1.5 - 2
12-30T-?	300	15	1.25 - 1.5 - 2
12-40T-?	400	15	1.25 - 1.5 - 2
12-50T-?	500	15	1.5 - 2
12-60T-?	600	15	1.5 - 2
12-70T-?	700	15	2
12-80T-?	800	15	2
12-90T-?	900	15	2
12-100T-?	1000	15	2



Connection Example

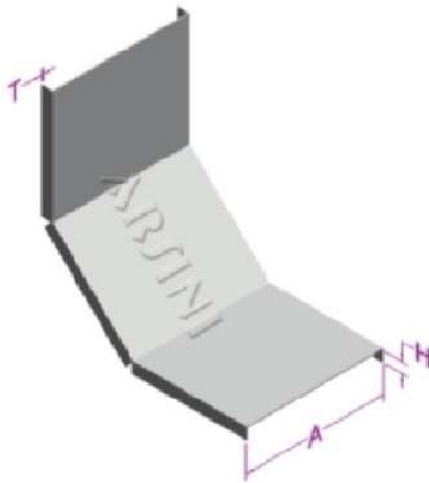


## CABLE TRAY & LADDER COVERS

### 13- Cover of inside vertical bend 90 degree

**NOTES:**

1. (?) → H.D.G: Hot dip galvanized  
P.G: Pre galvanized  
C: Colored



ORDER CODE	A mm	H mm	T mm
13-5T-?	50	15	1 - 1.25
13-10T-?	100	15	1 - 1.25 - 1.5 - 2
13-15T-?	150	15	1 - 1.25 - 1.5 - 2
13-20T-?	200	15	1 - 1.25 - 1.5 - 2
13-25T-?	250	15	1 - 1.25 - 1.5 - 2
13-30T-?	300	15	1.25 - 1.5 - 2
13-40T-?	400	15	1.25 - 1.5 - 2
13-50T-?	500	15	1.5 - 2
13-60T-?	600	15	1.5 - 2
13-70T-?	700	15	2
13-80T-?	800	15	2
13-90T-?	900	15	2
13-100T-?	1000	15	2

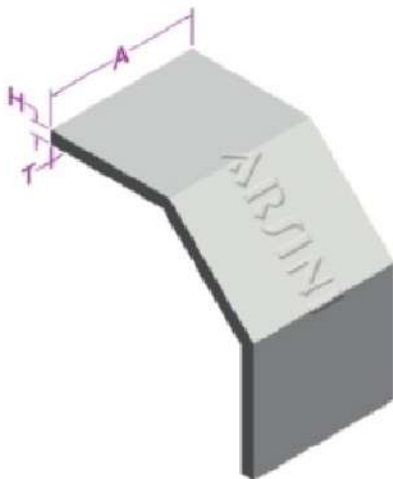


Connection Example

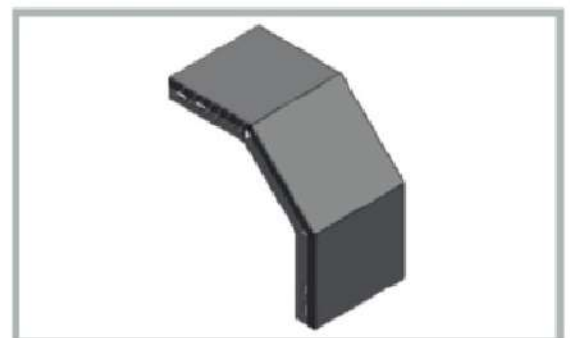
### 14- Cover of outside vertical bend 90 degree

**NOTES:**

1. (?) → H.D.G: Hot dip galvanized  
P.G: Pre galvanized  
C: Colored



ORDER CODE	A mm	H mm	T mm
14-5T-?	50	15	1 - 1.25
14-10T-?	100	15	1 - 1.25 - 1.5 - 2
14-15T-?	150	15	1 - 1.25 - 1.5 - 2
14-20T-?	200	15	1 - 1.25 - 1.5 - 2
14-25T-?	250	15	1 - 1.25 - 1.5 - 2
14-30T-?	300	15	1.25 - 1.5 - 2
14-40T-?	400	15	1.25 - 1.5 - 2
14-50T-?	500	15	1.5 - 2
14-60T-?	600	15	1.5 - 2
14-70T-?	700	15	2
14-80T-?	800	15	2
14-90T-?	900	15	2
14-100T-?	1000	15	2

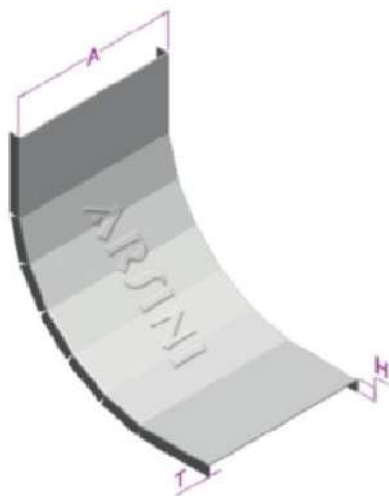


Connection Example

### 15- Cover of inside vertical bend 90 degree

**NOTES:**

1. (?) → **H.D.G:** Hot dip galvanized  
**P.G:** Pre galvanized  
**C:** Colored



ORDER CODE	A mm	H mm	T mm
15-5T-?	50	15	1 - 1.25
15-10T-?	100	15	1 - 1.25 - 1.5 - 2
15-15T-?	150	15	1 - 1.25 - 1.5 - 2
15-20T-?	200	15	1 - 1.25 - 1.5 - 2
15-25T-?	250	15	1 - 1.25 - 1.5 - 2
15-30T-?	300	15	1.25 - 1.5 - 2
15-40T-?	400	15	1.25 - 1.5 - 2
15-50T-?	500	15	1.5 - 2
15-60T-?	600	15	1.5 - 2
15-70T-?	700	15	2
15-80T-?	800	15	2
15-90T-?	900	15	2
15-100T-?	1000	15	2

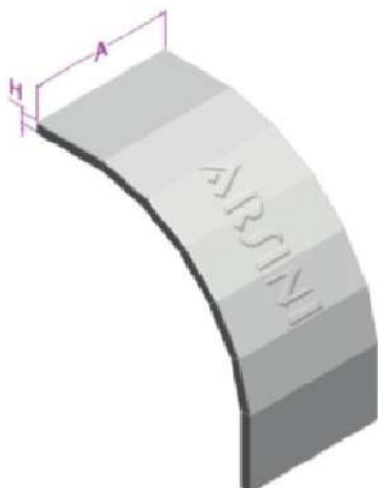


Connection Example

### 16- Cover of outside vertical bend 90 degree

**NOTES:**

1. (?) → **H.D.G:** Hot dip galvanized  
**P.G:** Pre galvanized  
**C:** Colored



ORDER CODE	A mm	H mm	T mm
16-5T-?	50	15	1 - 1.25
16-10T-?	100	15	1 - 1.25 - 1.5 - 2
16-15T-?	150	15	1 - 1.25 - 1.5 - 2
16-20T-?	200	15	1 - 1.25 - 1.5 - 2
16-25T-?	250	15	1 - 1.25 - 1.5 - 2
16-30T-?	300	15	1.25 - 1.5 - 2
16-40T-?	400	15	1.25 - 1.5 - 2
16-50T-?	500	15	1.5 - 2
16-60T-?	600	15	1.5 - 2
16-70T-?	700	15	2
16-80T-?	800	15	2
16-90T-?	900	15	2
16-100T-?	1000	15	2



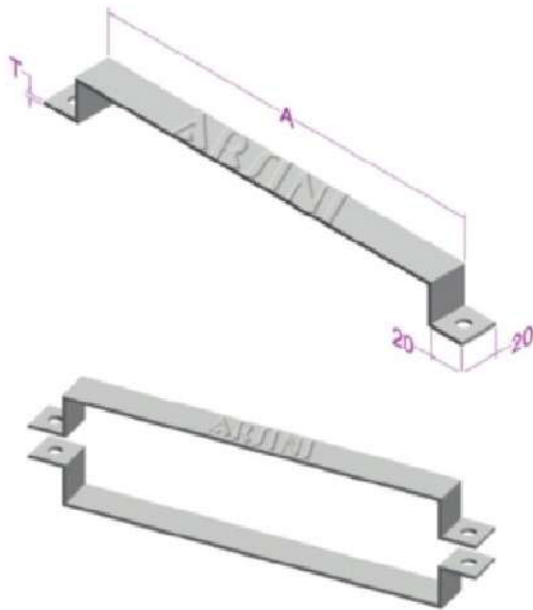
Connection Example

## CABLE TRAY & LADDER COVERS

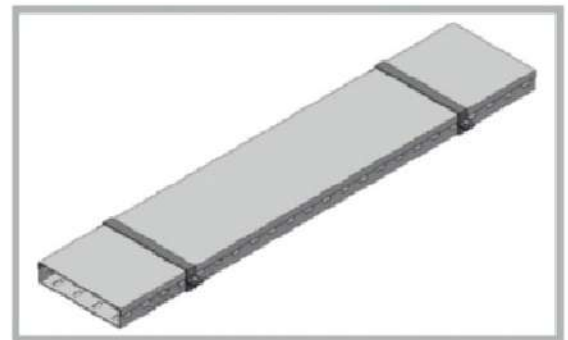
### 17- Cover holder

**NOTES:**

1. (?) → **H.D.G:** Hot dip galvanized  
**P.G:** Pre galvanized  
**C:** Colored



ORDER CODE	A mm	H mm	T mm
17-5T-?	50	40-50	1.5
17-10T-?	100	40-50-60-70-100-150	1.5
17-15T-?	150	40-50-60-70-100-150	1.5
17-20T-?	200	40-50-60-70-100-150	1.5
17-25T-?	250	40-50-60-70-100-150	1.5
17-30T-?	300	40-50-60-70-100-150	1.5
17-40T-?	400	40-50-60-70-100-150	2
17-50T-?	500	40-50-60-70-100-150	2
17-60T-?	600	40-50-60-70-100-150	2
17-70T-?	700	40-50-60-70-100-150	2
17-80T-?	800	40-50-60-70-100-150	2
17-90T-?	900	40-50-60-70-100-150	2
17-100T-?	1000	40-50-60-70-100-150	2

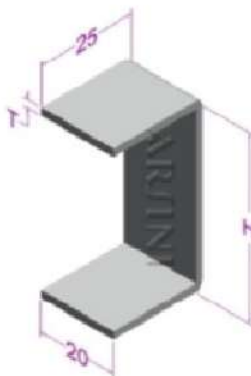


Connection Example

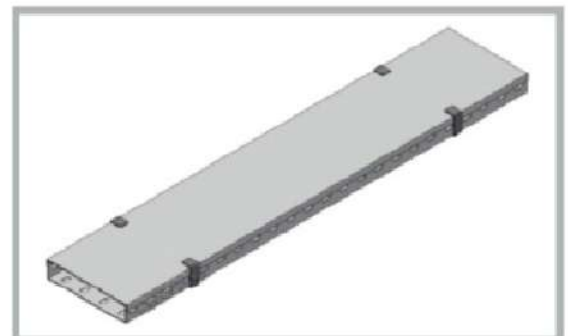
### 18- Cover clamp

**NOTES:**

1. (?) → **H.D.G:** Hot dip galvanized  
**P.G:** Pre galvanized  
**C:** Colored



ORDER CODE	H mm	T mm
18-HT-?	40-50-60-70-100-150	2



Connection Example

# ARSINI®

کل جریان با ما



[www.barghzoom.com](http://www.barghzoom.com)

